

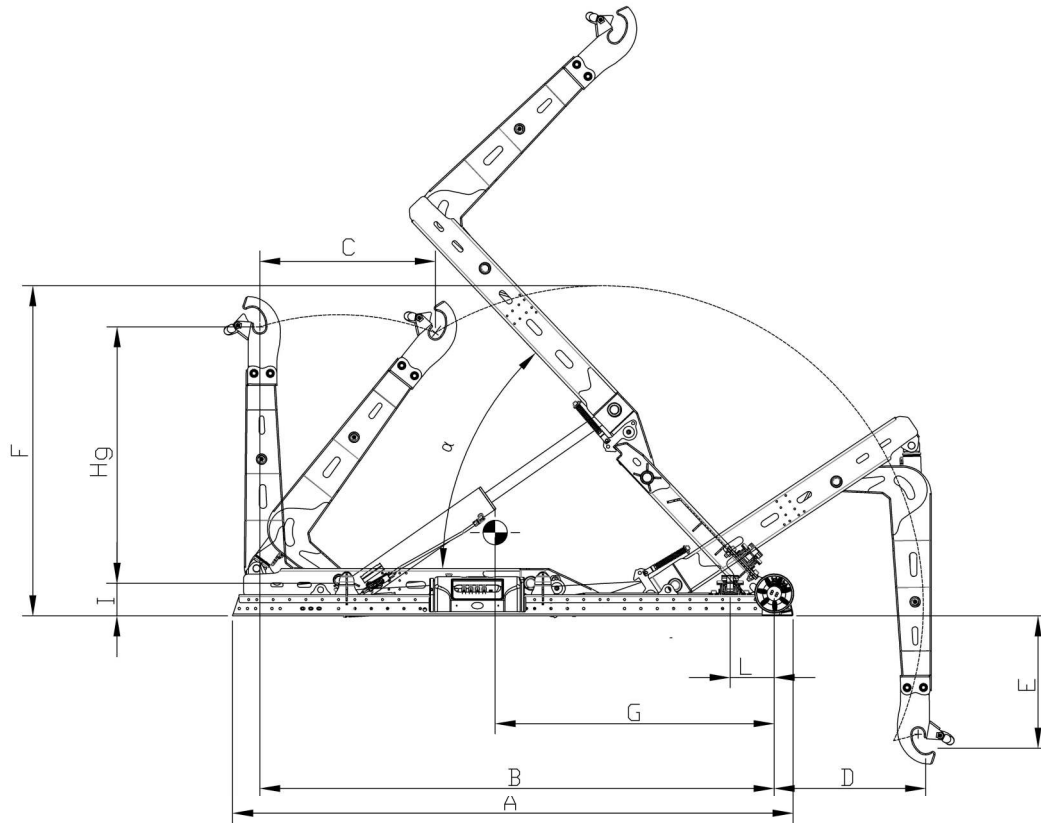
A8



follow us on:



WWW.BOBSPA.COM



A8 MS CLASS 1

CONTAINER

MODEL	HG	A	B	C	D	E	F	G	I	L	WEIGHT	α	MIN	MAX
A8 C	900/920	3165	2950	885	935	25	1655	1750	200	200	890 kg	52°	2400	3600
A8 N	900/920	3365	3150	885	735	25	1655	1800	200	400	920 kg	46°	2600	3800
A8 L	900/920	3565	3350	885	535	25	1655	1850	200	600	950 kg	42°	2800	4000
A8 XL	900/920	3765	3550	885	785	25	1800	1910	200	350	1070 kg	52°	3000	4200
A8 XXL	900/920	3965	3750	885	585	25	1800	1960	200	550	1100 kg	47°	3200	4400

A8 MS CLASS 2

CONTAINER

MODEL	HG	A	B	C	D	E	F	G	I	L	WEIGHT	α	MIN	MAX
A8 C	1425/1570	3165	2950	1000	1090	310	1980	1750	200	300	920 kg	52°	2400	3600
A8 N	1425/1570	3365	3150	1000	890	310	1980	1800	200	500	950 kg	46°	2600	3800
A8 L	1425/1570	3565	3350	1000	690	310	1980	1850	200	700	980 kg	42°	2800	4000
A8 XL	1425/1570	3765	3550	1000	950	500	2190	1910	200	350	1100 kg	52°	3000	4200
A8 XXL	1425/1570	3965	3750	1000	750	500	2190	1960	200	550	1130 kg	47°	3200	4400

A8 MS DOUBLE TRACK - CLASS 1

CONTAINER

MODEL	HG	A	B	C	D	E	F	G	I	L	WEIGHT	α	MIN	MAX
A8 C D.P.	900/920	3165	2950	885	935	25	1655	1750	200	200	890 kg	52°	2400	3600
A8 N D.P.	900/920	3365	3150	885	735	25	1655	1800	200	400	920 kg	46°	2600	3800
A8 L D.P.	900/920	3565	3350	885	535	25	1655	1850	200	600	950 kg	42°	2800	4000
A8 XL D.P.	900/920	3765	3550	885	785	25	1800	1910	200	350	1070 kg	52°	3000	4200
A8 XXL D.P.	900/920	3965	3750	885	585	25	1800	1960	200	550	1100 kg	47°	3200	4400