

# HOOKLIFT

ARTICULATED - TELESCOPIC - TELESCOPIC ARTICULATED



*lift your life*

[WWW.BOBSA.COM](http://WWW.BOBSA.COM)



Chiabotti Rea

SP 661

SP 159



Da 45 anni produciamo attrezzature per il trasporto di materiali sviluppando un know how globale in grado di renderci una delle aziende di riferimento a livello internazionale.



For 45 years we have been producing equipment for the transport of materials developing a global know-how able to make us one of the reference companies at international level.



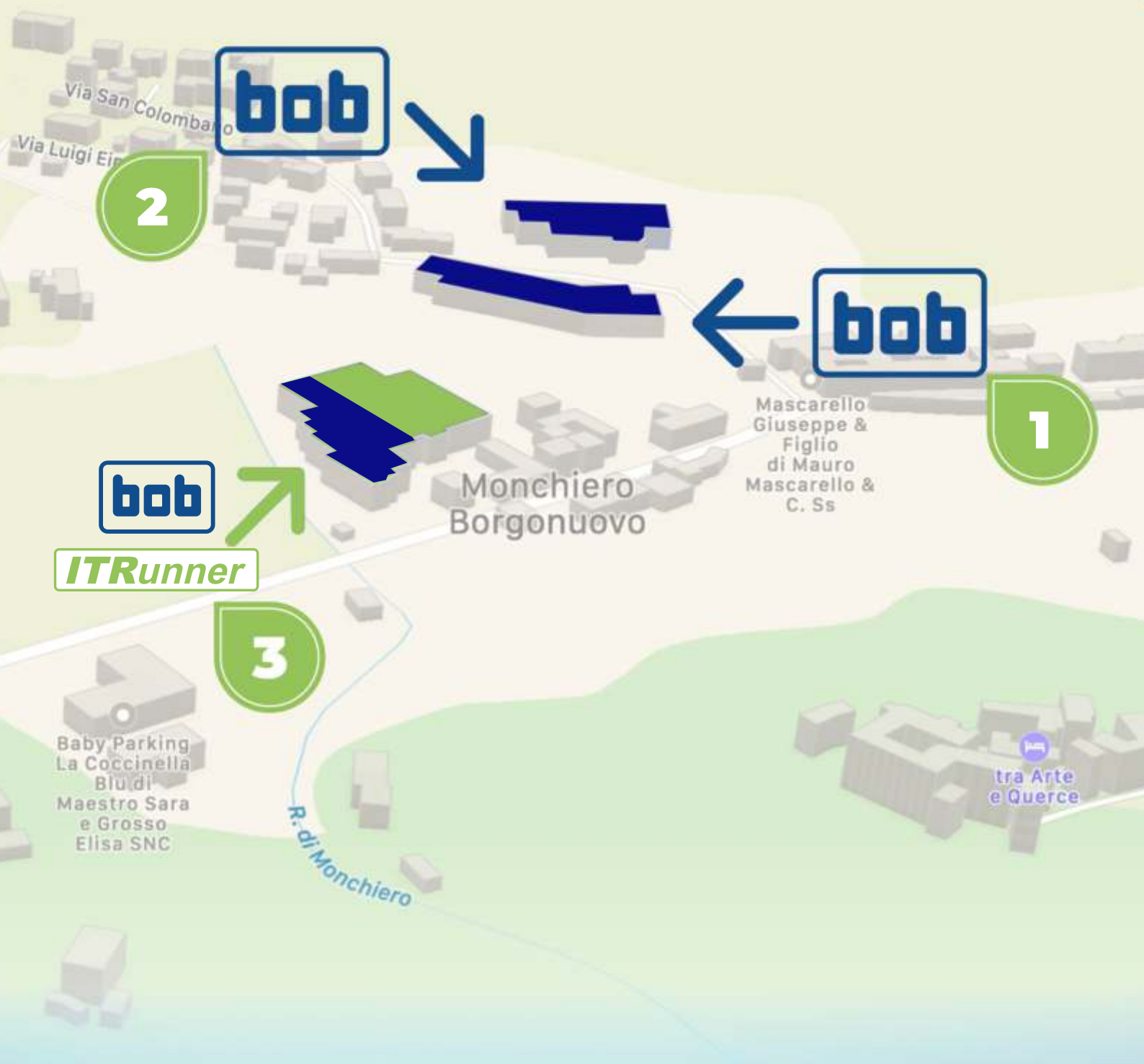
Depuis 45 ans, nous produisons des équipements pour le transport de matériaux développant un savoir-faire mondial capable de faire de nous l'une des sociétés de référence au niveau international



Seit 45 Jahren produzieren wir Anlagen für den Transport von Materialien und entwickeln ein globales Know-how, das uns zu einem der Referenzunternehmen auf internationaler Ebene machen kann











# ARTICULATED

**A3 MS** Class 1 **6/7**

**A3 MS** Double Truck Cass 1

**A4 MS** Class 1 **8/9**

**A4 MS** Double Truck Cass 1

**A6** Class 1 / Class 2 **10/11**

**A6** Double Truck Class 1

**A8** Class 1 / Class 2 **12/13**

**A8** Double Truck Class 1

**A10** Class 2 **14/15**

**A14 MS** **16/17**

**A16 MS**

**A18 MS** **18/19**

**A20 MS**





**A3 MS**

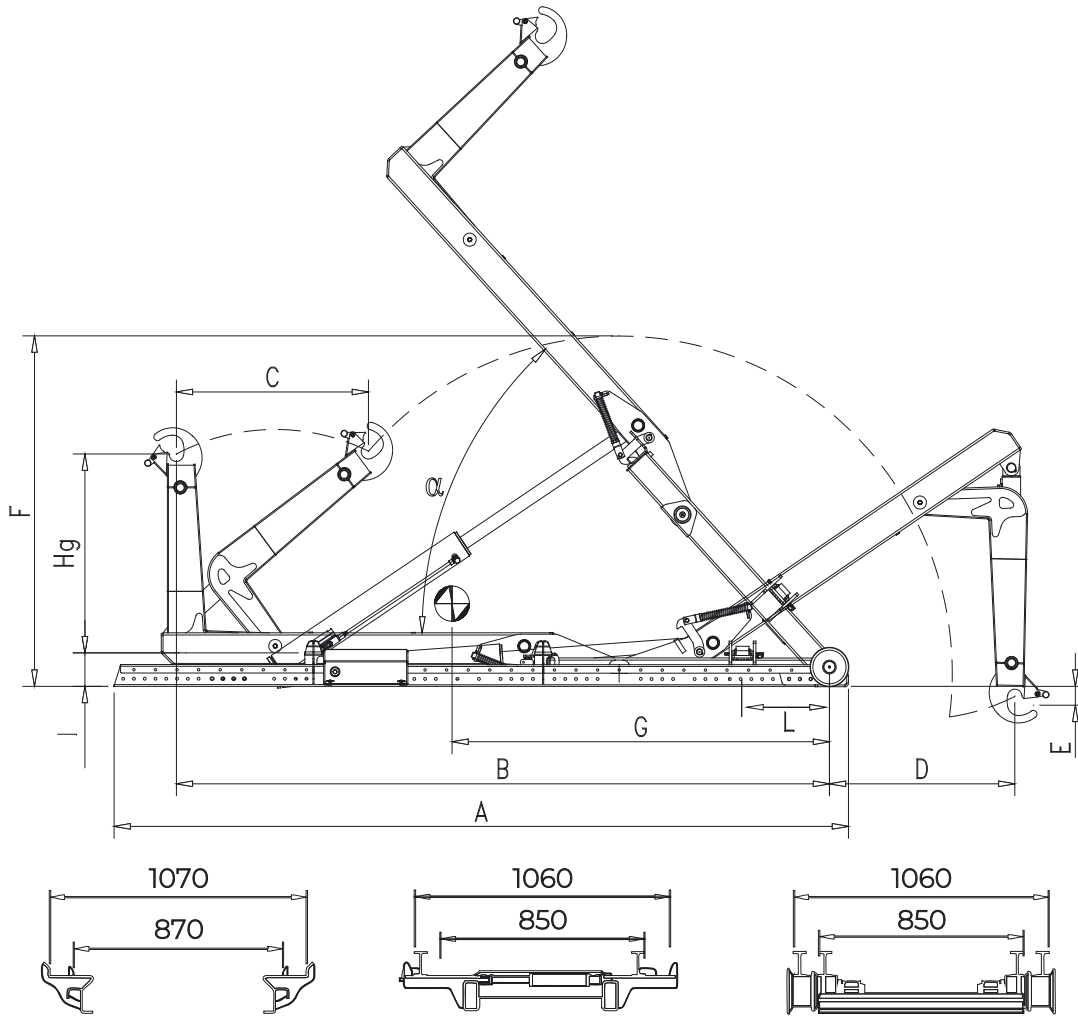


follow us on:



[WWW.BOBSPA.COM](http://WWW.BOBSPA.COM)





## A3 MS CLASS 1

MODEL	HG	A	B	C	D	E	F	G	I	L	WEIGHT	$\alpha$	CONTAINER	
													MIN	MAX
A3 XC MS	900/920	3130	2470	890	910	220	1400	1500	155	150	430	57°	2000	3100
A3 C MS	900/920	3130	2750	890	1130	90	1600	1550	155	150	440	57°	2200	3400
A3 N MS	900/920	3405	3025	890	860	90	1600	1750	155	400	460	48°	2500	3600
A3 L MS	900/920	3405	3205	890	1000	0	1740	1800	155	400	480	48°	2700	3800

## A3 MS DOUBLE TRUCK - CLASS 1

MODEL	HG	A	B	C	D	E	F	G	I	L	WEIGHT	$\alpha$	CONTAINER	
													MIN	MAX
A3 XC MS D.P.	900/920	3130	2470	890	910	220	1400	1500	155	150	450	57°	2000	3100
A3 C MS D.P.	900/920	3130	2750	890	1130	90	1600	1550	155	150	460	57°	2200	3400
A3 N MS D.P.	900/920	3405	3025	890	860	90	1600	1750	155	400	480	48°	2500	3600
A3 L MS D.P.	900/920	3405	3205	890	1000	0	1740	1800	155	400	500	48°	2700	3800

**A4 MS**

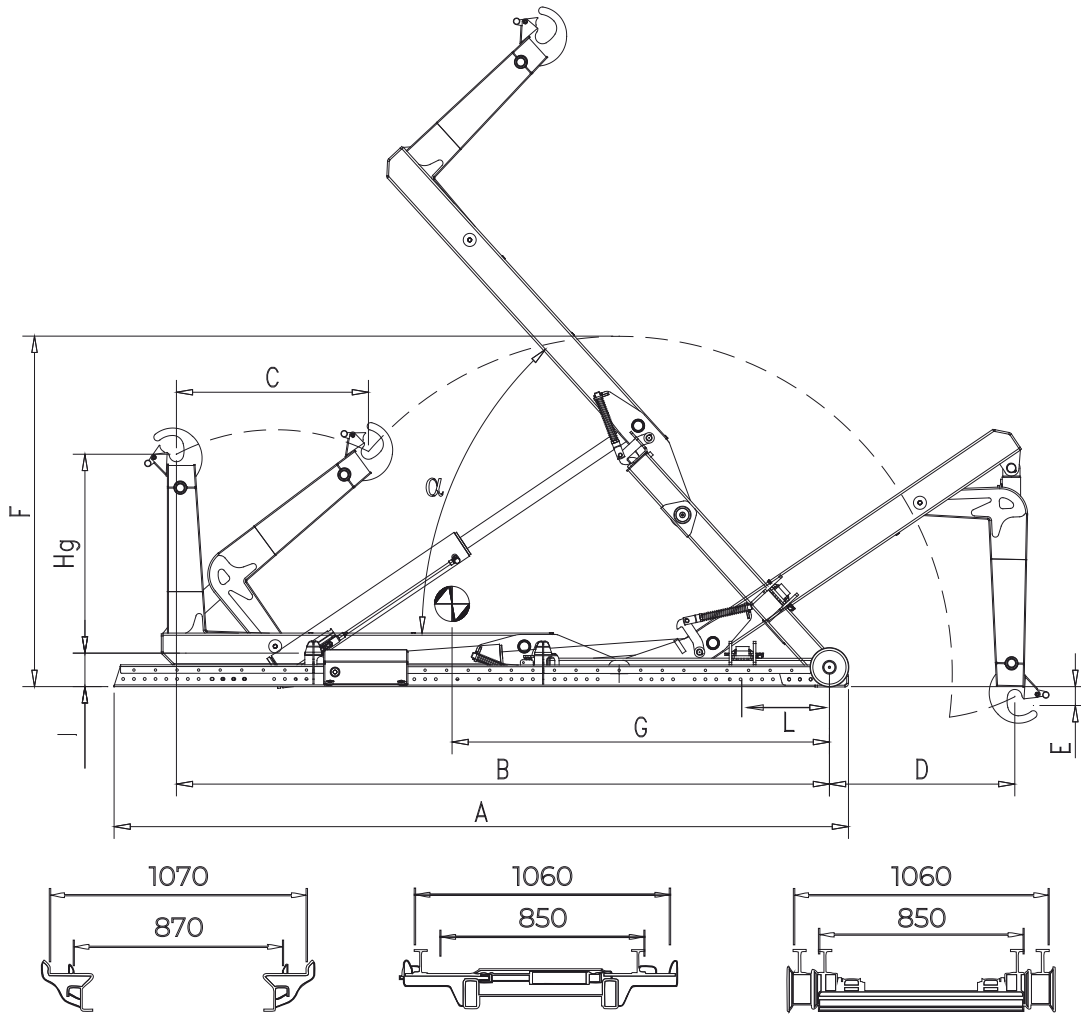


follow us on:



[WWW.BOBSPA.COM](http://WWW.BOBSPA.COM)





**A4 MS CLASS 1**

CONTAINER

MODEL	HG	A	B	C	D	E	F	G	I	L	WEIGHT	$\alpha$	MIN	MAX
A4 XC MS	900/920	3130	2470	890	910	220	1400	1500	155	150	450	57°	2000	3100
A4 C MS	900/920	3130	2750	890	1130	90	1600	1550	155	150	460	57°	2200	3400
A4 N MS	900/920	3405	3025	890	860	90	1600	1750	155	400	480	48°	2500	3600
A4 L MS	900/920	3405	3205	890	1000	0	1740	1800	155	400	500	48°	2700	3800

**A4 MS DOUBLE TRUCK - CLASS 1**

CONTAINER

MODEL	HG	A	B	C	D	E	F	G	I	L	WEIGHT	$\alpha$	MIN	MAX
A4 XC MS D.P.	900/920	3130	2470	890	910	220	1400	1500	155	150	470 kg	57°	2000	3100
A4 C MS D.P.	900/920	3130	2750	890	1130	90	1600	1550	155	150	480 kg	57°	2200	3400
A4 N MS D.P.	900/920	3405	3025	890	860	90	1600	1750	155	400	500 kg	48°	2500	3600
A4 L MS D.P.	900/920	3405	3205	890	1000	0	1740	1800	155	400	520 kg	48°	2700	3800

**A6 MS**

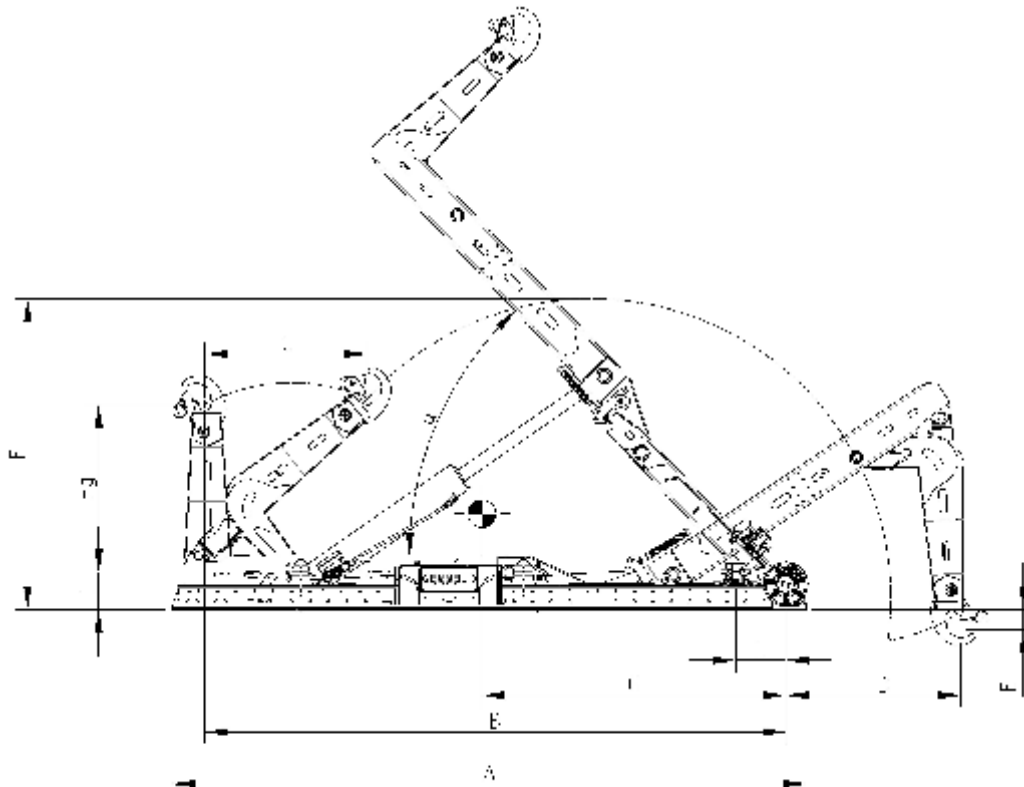


follow us on:



[WWW.BOBSPA.COM](http://WWW.BOBSPA.COM)





## A6 MS CLASS 1

CONTAINER

MODEL	HG	A	B	C	D	E	F	G	I	L	WEIGHT	$\alpha$	MIN	MAX
A6 C	900/920	3165	2950	885	935	25	1655	1750	200	200	890 kg	52°	2400	3600
A6 N	900/920	3365	3150	885	735	25	1655	1800	200	400	920 kg	46°	2600	3800
A6 L	900/920	3565	3350	885	535	25	1655	1850	200	600	950 kg	42°	2800	4000
A6 XL	900/920	3765	3550	885	785	25	1800	1910	200	350	1070 kg	52°	3000	4200
A6 XXL	900/920	3965	3750	885	585	25	1800	1960	200	550	1100 kg	47°	3200	4400

## A6 MS CLASS 2

CONTAINER

MODEL	HG	A	B	C	D	E	F	G	I	L	WEIGHT	$\alpha$	MIN	MAX
A6 C	1425/1570	3165	2950	1000	1090	310	1980	1750	200	300	920 kg	52°	2400	3600
A6 N	1425/1570	3365	3150	1000	890	310	1980	1800	200	500	950 kg	46°	2600	3800
A6 L	1425/1570	3565	3350	1000	690	310	1980	1850	200	700	980 kg	42°	2800	4000
A6 XL	1425/1570	3765	3550	1000	850	500	2190	1910	200	350	1070 kg	52°	3000	4200
A6 XXL	1425/1570	3965	3750	1000	650	500	2190	1960	200	550	1100 kg	47°	3200	4400

## A6 MS DOUBLE TRACK - CLASS 1

CONTAINER

MODEL	HG	A	B	C	D	E	F	G	I	L	WEIGHT	$\alpha$	MIN	MAX
A6 C D.P.	900/920	3165	2950	885	935	25	1655	1750	200	200	890 kg	52°	2400	3600
A6 N D.P.	900/920	3365	3150	885	735	22	1655	1800	200	400	920 kg	46°	2600	3800
A6 L D.P.	900/920	3565	3350	885	535	25	1655	1850	200	600	950 kg	42°	2800	4000
A6 XL D.P.	900/920	3765	3550	885	785	875	1800	1910	200	350	1070 kg	52°	3000	4200
A6 XXL D.P.	900/920	3965	3750	885	585	875	1800	1960	200	550	1100 kg	47°	3200	4400

**A8**

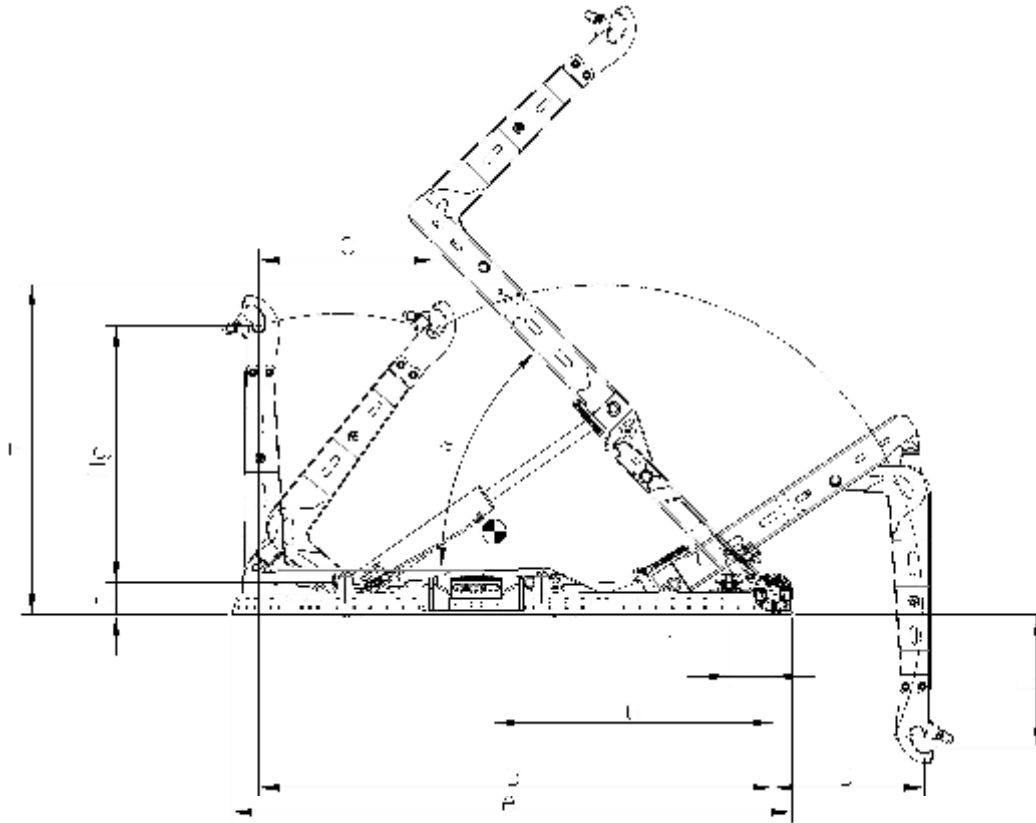


follow us on:



[WWW.BOBSPA.COM](http://WWW.BOBSPA.COM)





**A8 MS CLASS 1**

CONTAINER

MODEL	HG	A	B	C	D	E	F	G	I	L	WEIGHT	$\alpha$	MIN	MAX
A8 C	900/920	3165	2950	885	935	25	1655	1750	200	200	890 kg	52°	2400	3600
A8 N	900/920	3365	3150	885	735	25	1655	1800	200	400	920 kg	46°	2600	3800
A8 L	900/920	3565	3350	885	535	25	1655	1850	200	600	950 kg	42°	2800	4000
A8 XL	900/920	3765	3550	885	785	25	1800	1910	200	350	1070 kg	52°	3000	4200
A8 XXL	900/920	3965	3750	885	585	25	1800	1960	200	550	1100 kg	47°	3200	4400

**A8 MS CLASS 2**

CONTAINER

MODEL	HG	A	B	C	D	E	F	G	I	L	WEIGHT	$\alpha$	MIN	MAX
A8 C	1425/1570	3165	2950	1000	1090	310	1980	1750	200	300	920 kg	52°	2400	3600
A8 N	1425/1570	3365	3150	1000	890	310	1980	1800	200	500	950 kg	46°	2600	3800
A8 L	1425/1570	3565	3350	1000	690	310	1980	1850	200	700	980 kg	42°	2800	4000
A8 XL	1425/1570	3765	3550	1000	950	500	2190	1910	200	350	1100 kg	52°	3000	4200
A8 XXL	1425/1570	3965	3750	1000	750	500	2190	1960	200	550	1130 kg	47°	3200	4400

**A8 MS DOUBLE TRACK - CLASS 1**

CONTAINER

MODEL	HG	A	B	C	D	E	F	G	I	L	WEIGHT	$\alpha$	MIN	MAX
A8 C D.P.	900/920	3165	2950	885	935	25	1655	1750	200	200	890 kg	52°	2400	3600
A8 N D.P.	900/920	3365	3150	885	735	25	1655	1800	200	400	920 kg	46°	2600	3800
A8 L D.P.	900/920	3565	3350	885	535	25	1655	1850	200	600	950 kg	42°	2800	4000
A8 XL D.P.	900/920	3765	3550	885	785	25	1800	1910	200	350	1070 kg	52°	3000	4200
A8 XXL D.P.	900/920	3965	3750	885	585	25	1800	1960	200	550	1100 kg	47°	3200	4400

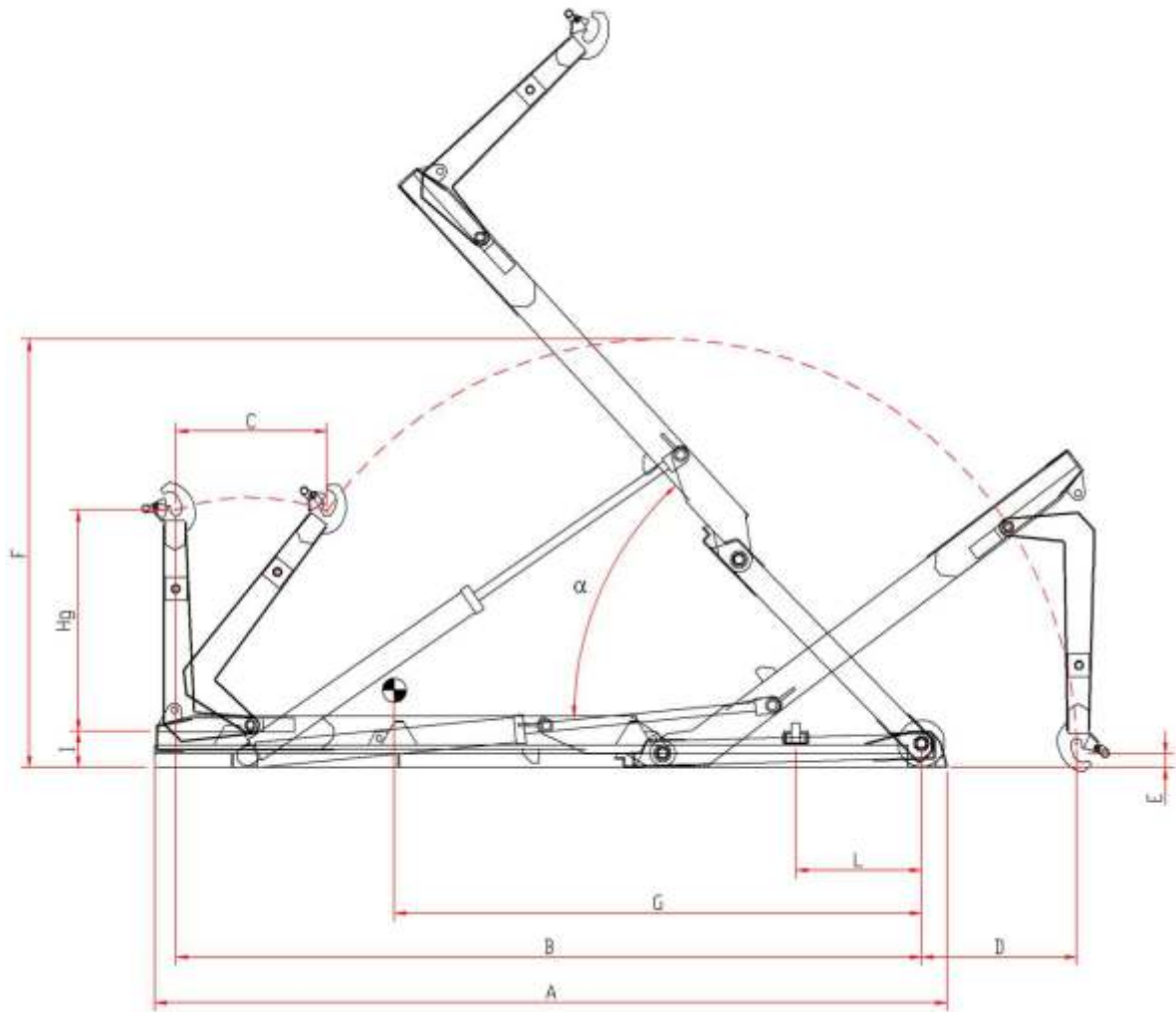
**A10**



follow us on:



[WWW.BOBSPA.COM](http://WWW.BOBSPA.COM)



## A10 CLASS 2

CONTAINER

MODEL	HG	A	B	C	D	E	F	G	I	L	WEIGHT	α	MIN	MAX
A10 C	1425/1570	4200	3850	1000	1300	10	2450	2200	240	400	1580 kg	58°	3200	4400
A10 N	1425/1570	4400	4050	1000	1100	10	2450	2250	240	600	1600 kg	53°	3400	4600
A10 NL	1425/1570	4600	4250	1000	900	10	2450	2300	240	800	1630 kg	49°	3600	800
A10 L	1425/1570	4800	4450	1000	700	10	2450	2350	240	1000	1650 kg	45°	3800	5000



**A14 MS**

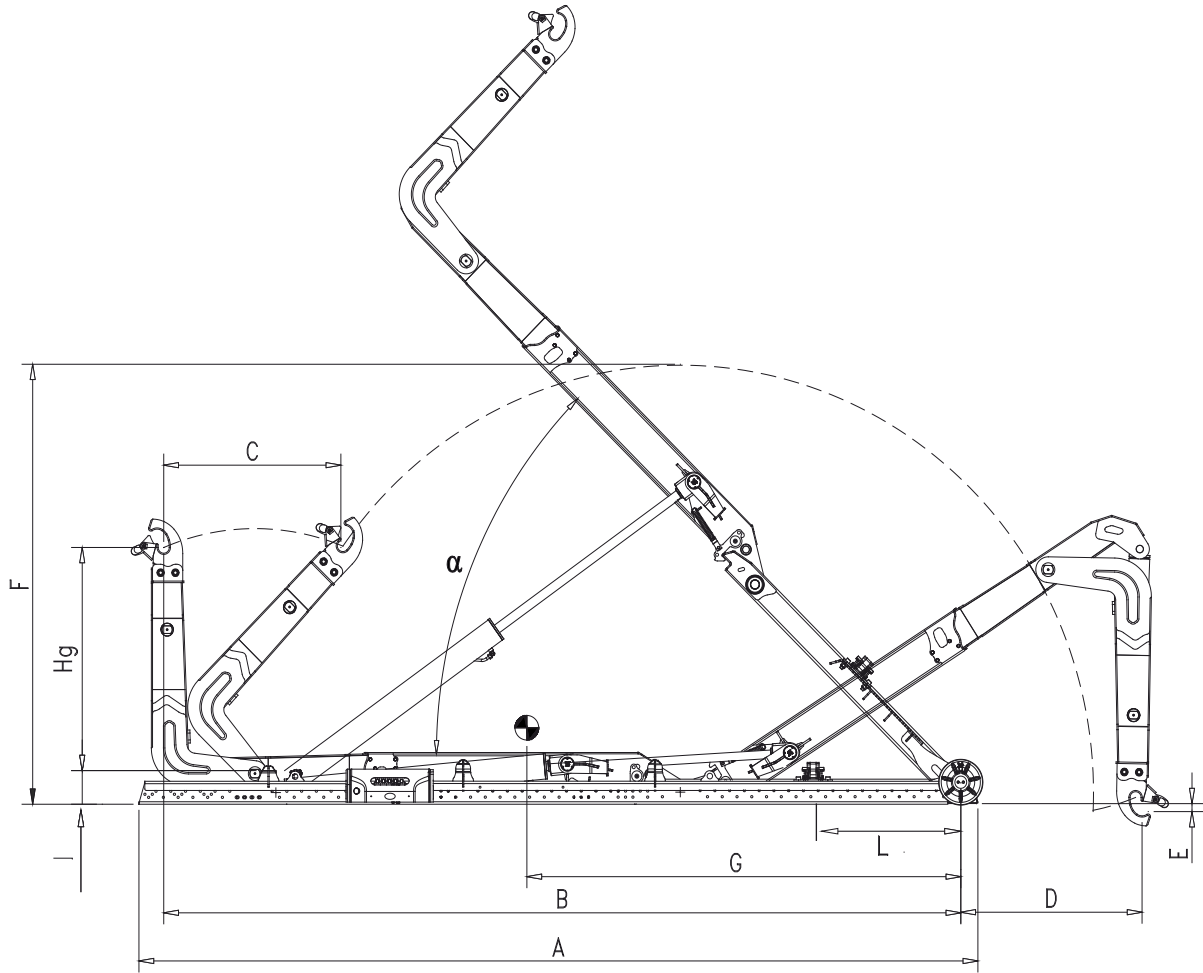
**A16 MS**



follow us on:



[WWW.BOBSPA.COM](http://WWW.BOBSPA.COM)



## A14 MS

MODEL	HG	A	B	C	D	E	F	G	I	L	WEIGHT	$\alpha$	CONTAINER	
													MIN	MAX
A14 C MS	1425/1570	5080	4600	1200	1660	160	2710	2640	220	500	1705 kg	55°	4000	5200
A14 NC MS	1425/1570	5280	4800	1200	1460	160	2710	2780	220	700	1730 kg	51°	4000	5400
A14 N MS	1425/1570	5480	5000	1200	1260	160	2710	2920	220	900	1755 kg	48°	4200	5600
A14 NL MS	1425/1570	5480	5200	1200	1420	50	2880	2960	220	900	1765 kg	48°	4400	5800
A14 L MS	1425/1570	5680	5400	1200	1220	50	2880	3100	220	1000	1790 kg	45°	4600	6000

## A16 MS

MODEL	HG	A	B	C	D	E	F	G	I	L	WEIGHT	$\alpha$	CONTAINER	
													MIN	MAX
A16 C MS	1425/1570	5080	4600	1200	1660	160	2710	2640	220	500	1745 kg	55°	4000	5200
A16 NC MS	1425/1570	5280	4800	1200	1460	160	2710	2780	220	700	1770 kg	51°	4000	5400
A16 N MS	1425/1570	5480	5000	1200	1260	160	2710	2920	220	900	1795 kg	48°	4200	5600
A16 NL MS	1425/1570	5480	5200	1200	1420	50	2880	2960	220	900	1805 kg	48°	4400	5800
A16 L MS	1425/1570	5680	5400	1200	1220	50	2880	3100	220	1000	1810 kg	45°	4600	6000

**A18 MS**

**A20 MS**

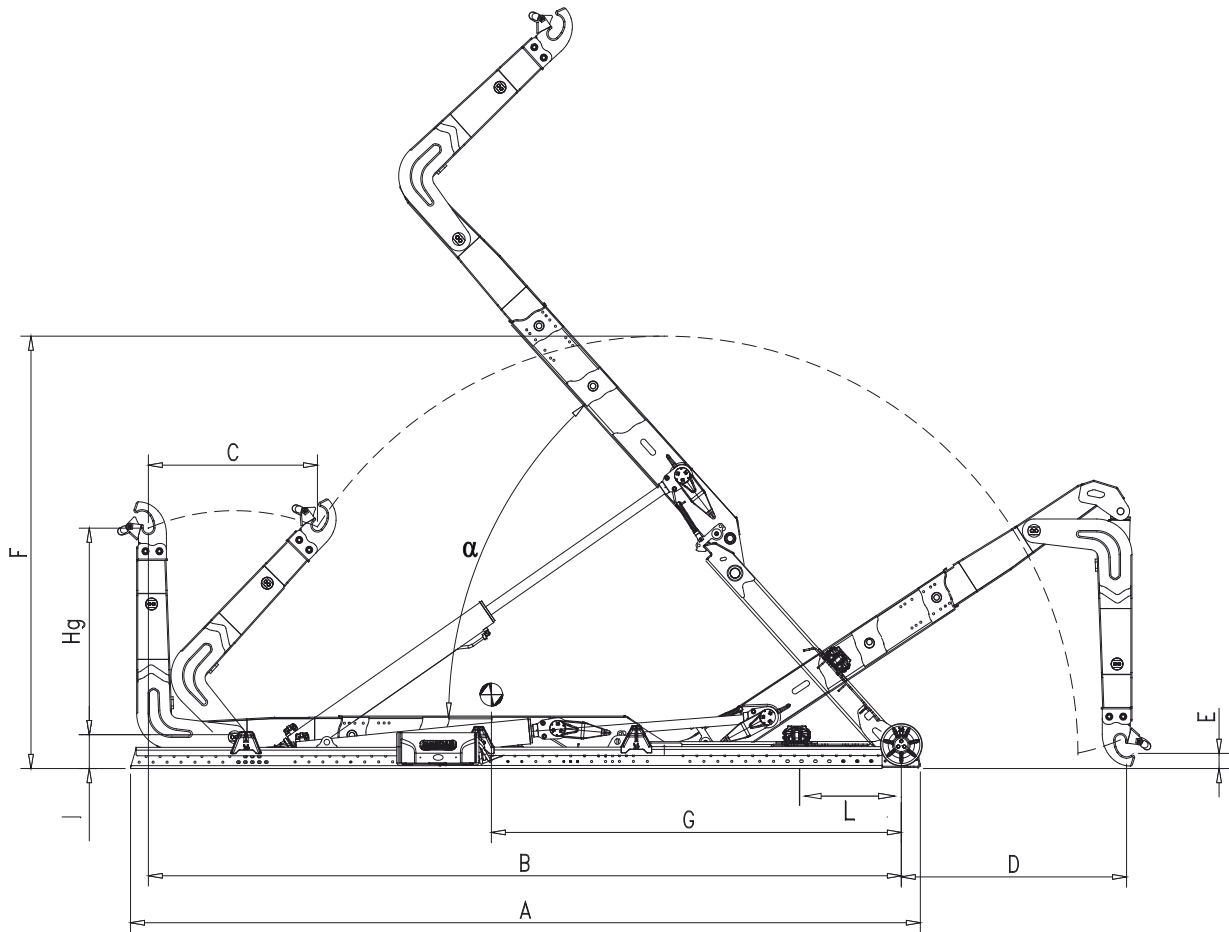


follow us on:



[WWW.BOBSA.COM](http://WWW.BOBSA.COM)





## A18 MS

CONTAINER

MODEL	HG	A	B	C	D	E	F	G	I	L	WEIGHT	$\alpha$	MIN	MAX
A18 C MS	1425/1570	5280	4800	1200	1850	0	2900	2620	240	350	1960 kg	55°	4200	5400
A18 NC MS	1425/1570	5280	5000	1200	1650	0	2900	2760	240	500	1990 kg	51°	4200	5600
A18 N MS	1425/1570	5480	5200	1200	1450	0	2900	2900	240	700	2020 kg	48°	4400	5800
A18 NL MS	1425/1570	5680	5400	1200	1620	100	3060	2940	240	700	2050 kg	48°	4600	6000
A18 L MS	1425/1570	5880	5600	1200	1420	100	3060	3070	240	900	2080 kg	45°	4800	6200

## A20 MS

CONTAINER

MODEL	HG	A	B	C	D	E	F	G	I	L	WEIGHT	$\alpha$	MIN	MAX
A20 C MS	1425/1570	5280	4800	1200	1850	160	2710	2640	240	350	1745 kg	55°	4200	5400
A20 NC MS	1425/1570	5280	5000	1200	1650	160	2710	2780	240	500	1770 kg	51°	4200	5600
A20 N MS	1425/1570	5480	5200	1200	1450	160	2710	2920	240	700	1795 kg	48°	4400	5800
A20 NL MS	1425/1570	5680	5400	1200	1620	50	2880	2960	240	700	1805 kg	48°	4600	6000
A20 L MS	1425/1570	5880	5600	1200	1620	50	2880	3100	240	900	1810 kg	45°	4800	6200





# TELESCOPIC

**T8 MS** Class 1 **22/23**

**T8 MS** Class 2

**T10 MS** Class 1 **24/25**

**T10 MS** Class 2

**T12 MS** Class 1 **26/27**

**T12 MS** Class 2

**T14 MS** **28/29**

**T14 TP MS**

**T16 MS** **30/31**

**T18 MS** **32/33**

**TL18 MS**

**T20 MS** **34/35**

**TL20 MS**

**T22 MS** **36/37**

**TL22 MS**

**T26 MS** **38/39**

**TL26 MS**

**T30 MS** **40/41**

**TL30 MS**

**T32 HD** **42/43**

**TL32 HD**

**T35 HD** **44/45**



**T8 MS**

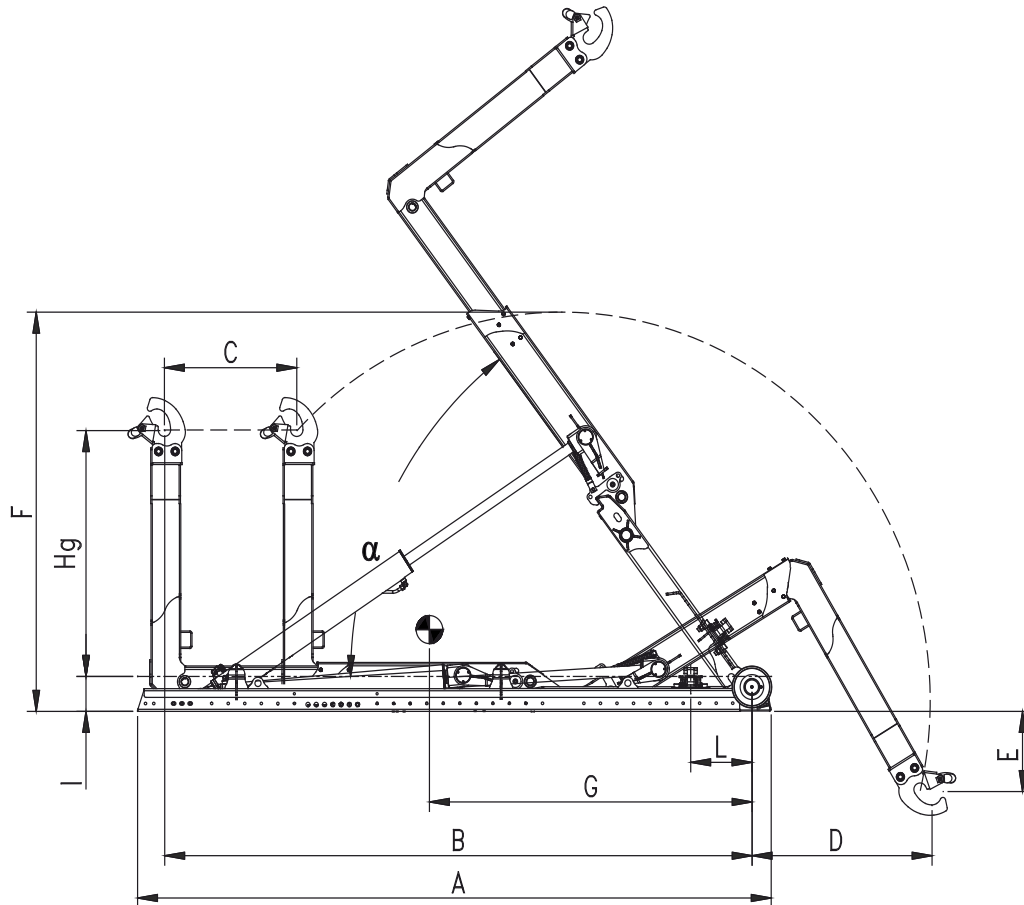


follow us on:



[WWW.BOBSPA.COM](http://WWW.BOBSPA.COM)





### T8 MS Class 1

												CONTAINER		
MODEL	HG	A	B	C	D	E	F	G	I	L	WEIGHT	$\alpha$	MIN	MAX
T8 XXC MS	900/920	3730	3350	700	940	70	1980	1820	200	270	1120 kg	55°	2800	3800
T8 XC MS	900/920	3830	3550	800	840	70	1980	1910	200	370	1145 kg	53°	3000	4000
T8 C MS	900/920	4030	3750	800	640	70	1980	2070	200	570	1170 kg	50°	3200	4200
T8 N MS	900/920	4330	4050	800	900	30	2240	2220	200	470	1210 kg	53°	3600	4600
T8 NL MS	900/920	4530	4250	800	700	30	2240	2350	200	670	1235 kg	49°	3800	4800
T8 L MS	900/920	4730	4450	800	500	30	2240	2480	200	670	1260 kg	45°	4000	5000

### T8 MS Class 2

												CONTAINER		
MODEL	HG	A	B	C	D	E	F	G	I	L	WEIGHT	$\alpha$	MIN	MAX
T8 XXC MS	1425/1570	3730	3350	700	1180	490	2280	1860	200	270	1145 kg	55°	2800	3800
T8 XC MS	1425/1570	3830	3550	800	1080	490	2280	1950	200	370	1170 kg	53°	3000	4000
T8 C MS	1425/1570	4030	3750	800	880	490	2280	2110	200	570	1195 kg	50°	3200	4200
T8 N MS	1425/1570	4330	4050	800	1160	490	2530	2260	200	470	1235 kg	53°	3600	4600
T8 NL MS	1425/1570	4530	4250	800	960	490	2530	2390	200	670	1260 kg	49°	3800	4800
T8 L MS	1425/1570	4730	4450	800	760	490	2530	2520	200	670	1285 kg	45°	4000	5000
T8 XL MS	1425/1570	5080	4600	1000	1480	100	2880	2480	220	500	1650 kg	55°	4000	5200

**T10 MS**

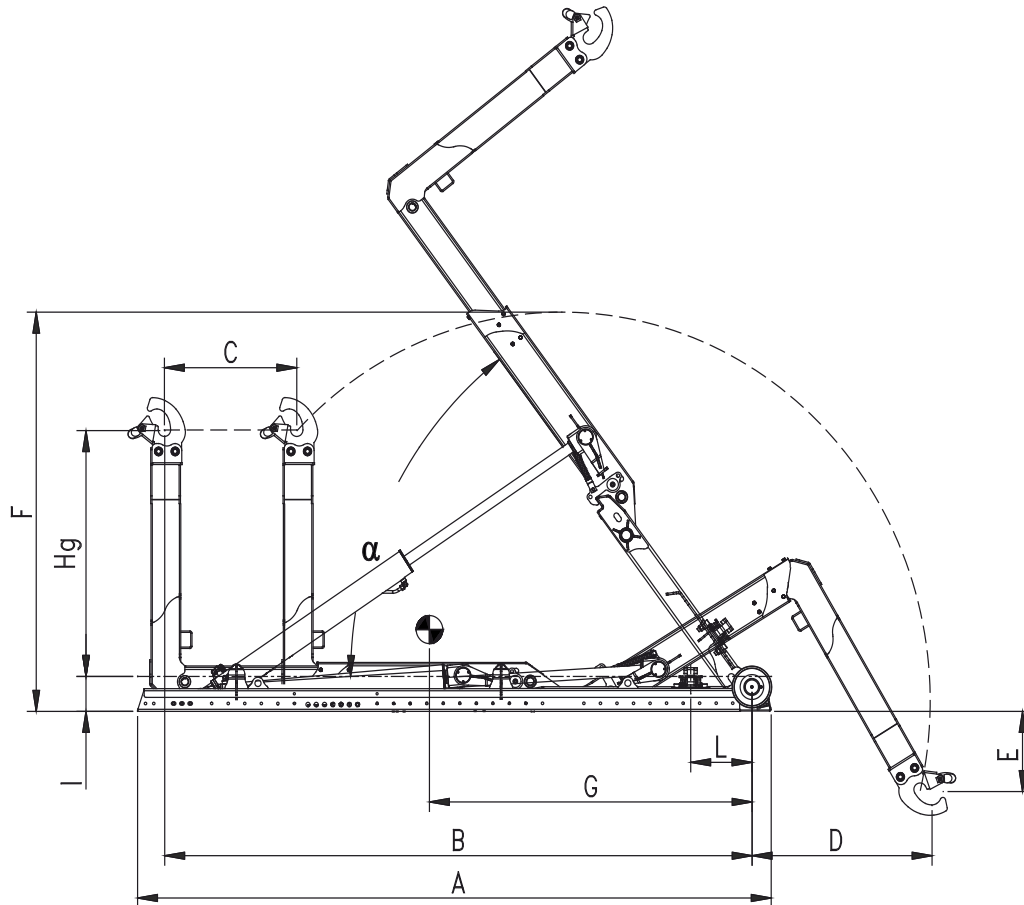


follow us on:



[WWW.BOBSPA.COM](http://WWW.BOBSPA.COM)





### T10 MS Class 1

MODEL	HG	A	B	C	D	E	F	G	I	L	WEIGHT	$\alpha$	CONTAINER	
													MIN	MAX
T10 XXC MS	900/920	3730	3350	700	940	190	1980	1820	200	270	1135 kg	55°	2800	3800
T10 XC MS	900/920	3830	3550	800	840	190	1980	1910	200	370	1160 kg	53°	3000	4000
T10 C MS	900/920	4030	3750	800	640	190	1980	2070	200	570	1185 kg	50°	3200	4200
T10 N MS	900/920	4330	4050	800	900	150	2240	2220	200	470	1225 kg	53°	3600	4600
T10 NL MS	900/920	4530	4250	800	700	150	2240	2350	200	670	1250 kg	49°	3800	4800
T10 L MS	900/920	4730	4450	800	500	150	2240	2480	200	670	1275 kg	45°	4000	5000

### T10 MS Class 2

MODEL	HG	A	B	C	D	E	F	G	I	L	WEIGHT	$\alpha$	CONTAINER	
													MIN	MAX
T10 XXC MS	1425/1570	3730	3350	700	1180	490	2280	1860	200	270	1160kg	55°	2800	3800
T10 XC MS	1425/1570	3830	3550	800	1080	490	2280	1950	200	370	1185 kg	53°	3000	4000
T10 C MS	1425/1570	4030	3750	800	880	490	2280	2110	200	570	1210 kg	50°	3200	4200
T10 N MS	1425/1570	4330	4050	800	1160	490	2530	2260	200	470	1250 kg	53°	3600	4600
T10 NL MS	1425/1570	4530	4250	800	960	490	2530	2390	200	670	1275 kg	49°	3800	4800
T10 L MS	1425/1570	4730	4450	800	760	490	2530	2520	200	670	1300 kg	45°	4000	5000
T10 XL MS	1425/1570	5080	4600	1000	1480	100	2880	2480	220	500	1665 kg	55°	4000	5200

**T12 MS**

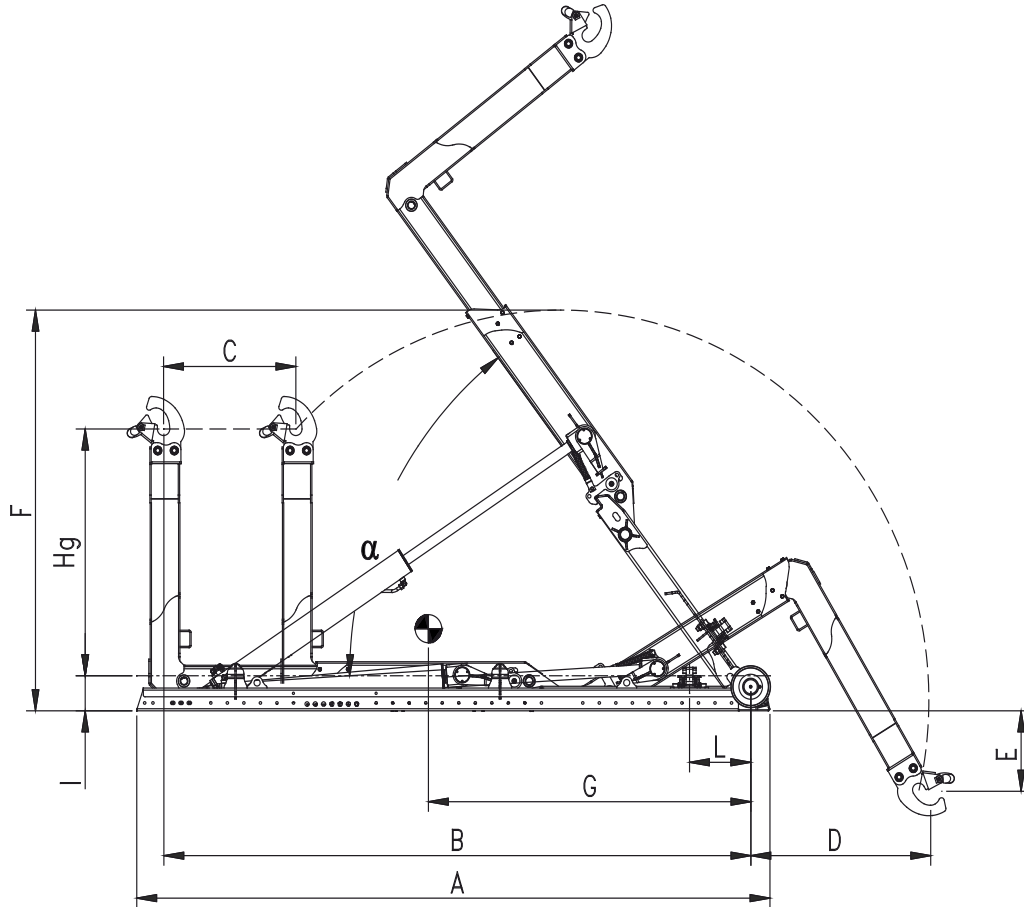


follow us on:



[WWW.BOBSPA.COM](http://WWW.BOBSPA.COM)





## T12 MS Class 1

MODEL	HG	A	B	C	D	E	F	G	I	L	WEIGHT	$\alpha$	CONTAINER	
													MIN	MAX
T12 XXC MS	900/920	3730	3350	700	940	190	1980	1820	200	270	1160 kg	55°	2800	3800
T12 XC MS	900/920	3830	3550	800	840	190	1980	1910	200	370	1185 kg	53°	3000	4000
T12 C MS	900/920	4030	3750	800	640	190	1980	2070	200	570	1210 kg	50°	3200	4200
T12 N MS	900/920	4330	4050	800	900	150	2240	2220	200	470	1255 kg	53°	3600	4600
T12 NL MS	900/920	4530	4250	800	700	150	2240	2350	200	670	1280 kg	49°	3800	4800
T12 L MS	900/920	4730	4450	800	500	150	2240	2480	200	670	1305 kg	45°	4000	5000

## T12 MS Class 2

MODEL	HG	A	B	C	D	E	F	G	I	L	WEIGHT	$\alpha$	CONTAINER	
													MIN	MAX
T12 XXC MS	1425/1570	3730	3350	700	1180	490	2280	1860	200	270	1185 kg	55°	2800	3800
T12 XC MS	1425/1570	3830	3550	800	1080	490	2280	1950	200	370	1210 kg	53°	3000	4000
T12 C MS	1425/1570	4030	3750	800	880	490	2280	2110	200	570	1235 kg	50°	3200	4200
T12 N MS	1425/1570	4330	4050	800	1160	490	2530	2260	200	470	1280 kg	53°	3600	4600
T12 NL MS	1425/1570	4530	4250	800	960	490	2530	2390	200	670	1305 kg	49°	3800	4800
T12 L MS	1425/1570	4730	4450	800	760	490	2530	2520	200	670	1330 kg	45°	4000	5000
T12 XL MS	1425/1570	5080	4600	1000	1480	100	2880	2480	220	500	1700 kg	55°	4000	5200

**T14 MS**

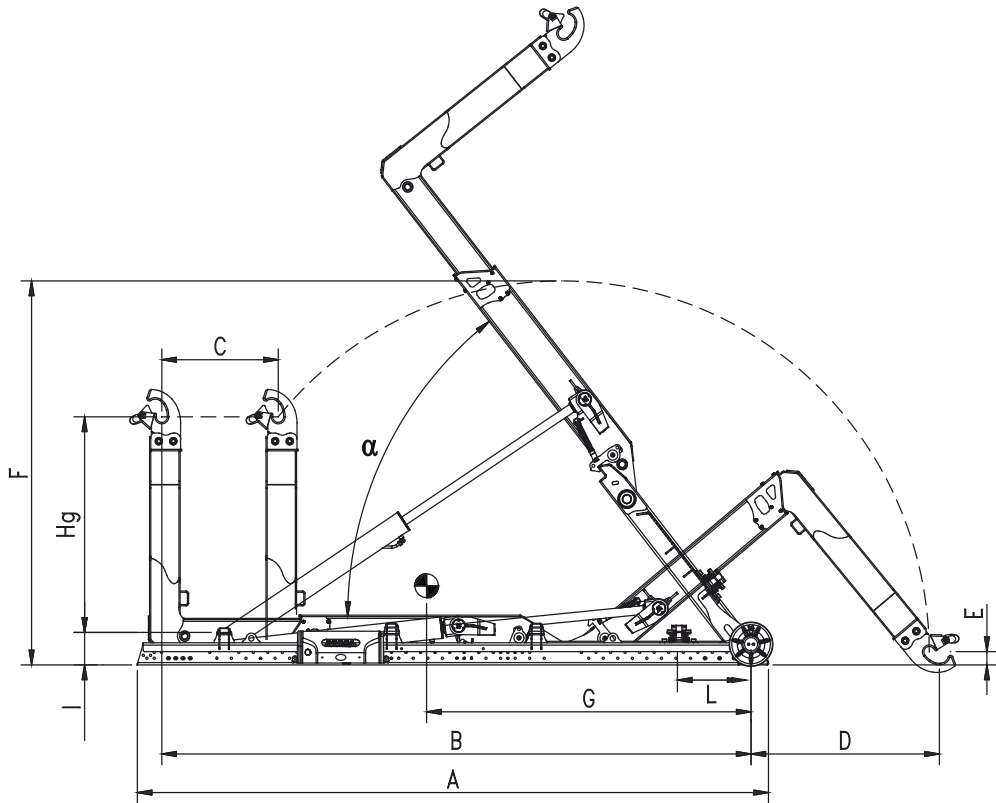


follow us on:



[WWW.BOBSPA.COM](http://WWW.BOBSPA.COM)





## T14 MS

MODEL	HG	A	B	C	D	E	F	G	I	L	WEIGHT	$\alpha$	CONTAINER	
													MIN	MAX
T14 XC MS	1425/1570	5080	4400	800	1580	100	2880	2440	220	500	1665 kg	55°	4000	5000
T14 C MS	1425/1570	5080	4600	1000	1580	100	2880	2480	220	500	1665 kg	53°	4000	5200
T14 NC MS	1425/1570	5080	4800	1200	1580	100	2880	2510	220	500	1665 kg	50°	4000	5400
T14 N MS	1425/1570	5280	5000	1200	1380	100	2880	2660	220	700	1690 kg	53°	4200	5600
T14 NL MS	1425/1570	5480	5200	1200	1180	100	2880	2800	220	900	1715 kg	49°	4400	5800
T14 L MS	1425/1570	5680	5400	1200	980	100	2880	2940	220	1000	1740 kg	45°	4600	6000
T14 XL MS	1425/1570	5880	5600	1200	1140	0	3050	2980	220	1000	1810 kg	45°	4800	6200

## T14 TP MS

MODEL	HG	A	B	C	D	E	F	G	I	L	WEIGHT	$\alpha$	CONTAINER	
													MIN	MAX
T14 TP C MS	1425/1570	3840	3550	800	1270	60	2380	1940	220	450	1380 kg	52°	3200	4200
T14 TP NC MS	1425/1570	4040	3570	800	1070	60	2380	2070	220	500	1420 kg	47°	3400	4400
T14 TP N MS	1425/1570	4340	4050	800	1290	90	2600	2230	220	500	1465 kg	52°	3600	4600
T14 TP NL MS	1425/1570	4540	4250	800	1090	90	2600	2360	220	700	1510 kg	48°	3800	4800

**T16 MS**

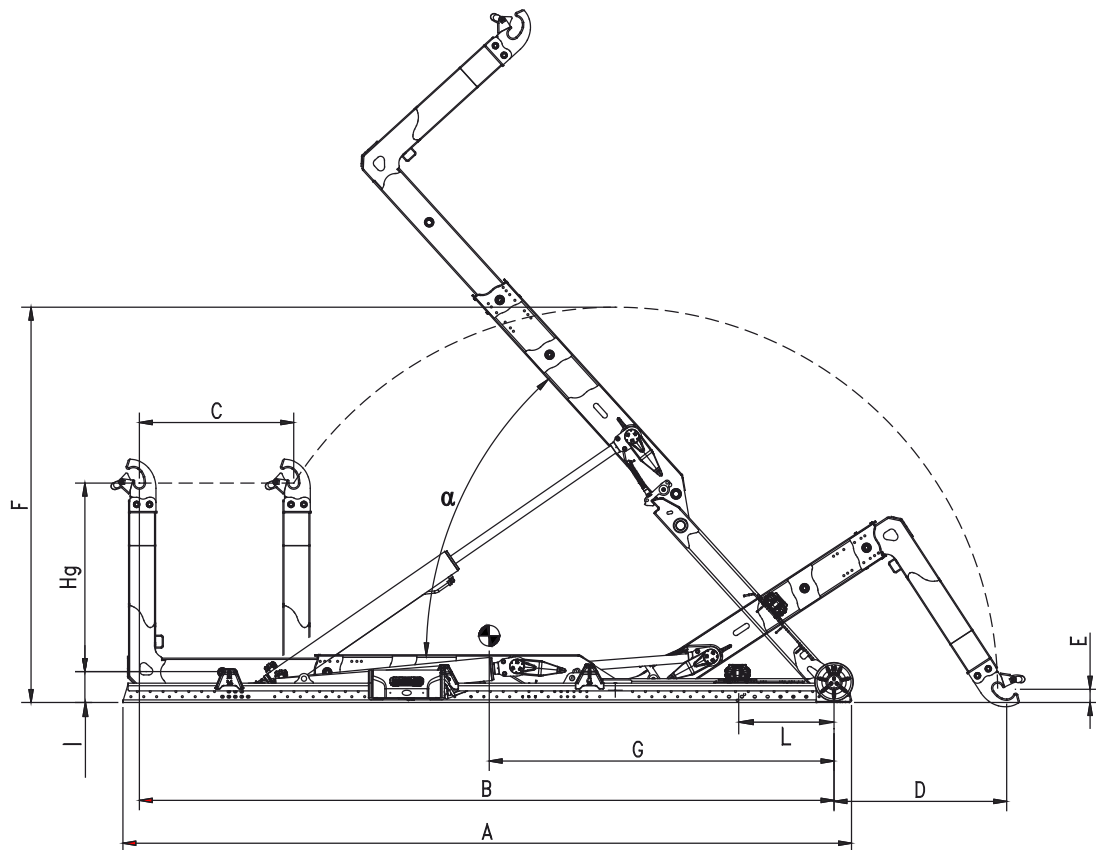


follow us on



[WWW.BOBSPA.COM](http://WWW.BOBSPA.COM)





## T16 MS CONTAINER

MODEL	HG	A	B	C	D	E	F	G	I	L	WEIGHT	$\alpha$	MIN	MAX
T16 XC MS	1425/1570	5080	4400	800	1580	100	2880	2440	220	500	1705 kg	55°	4000	5000
T16 C MS	1425/1570	5080	4600	1000	1580	100	2880	2480	220	500	1705 kg	55°	4000	5200
T16 NC MS	1425/1570	5080	4800	1200	1580	100	2880	2510	220	500	1705 kg	55°	4000	5400
T16 N MS	1425/1570	5280	5000	1200	1380	100	2880	2660	220	700	1730 kg	51°	4200	5600
T16 NL MS	1425/1570	5480	5200	1200	1180	100	2880	2800	220	900	1755 kg	48°	4400	5800
T16 L MS	1425/1570	5680	5400	1200	980	100	2880	2940	220	1000	1780 kg	45°	4600	6000
T16 XL MS	1425/1570	5880	5600	1200	1140	0	3050	2980	220	1000	1820 kg	45°	4800	6200

**T18 MS**

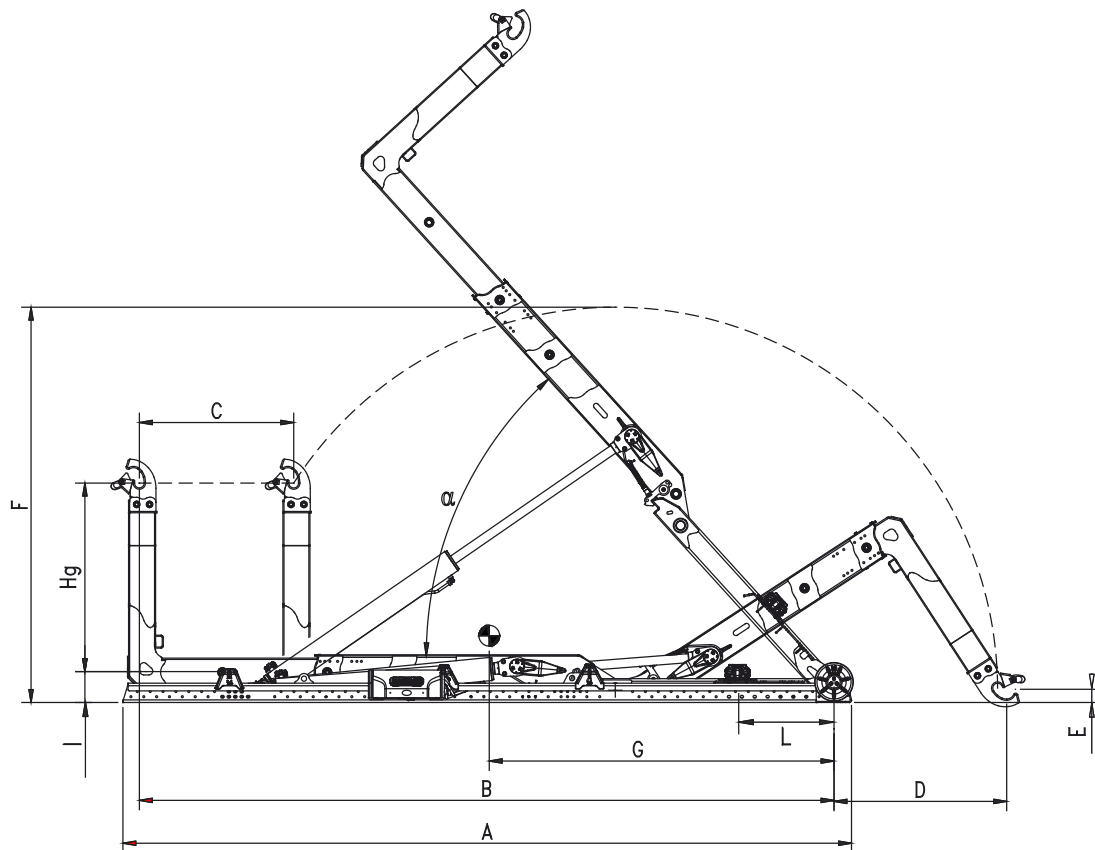


follow us on:



[WWW.BOBSPA.COM](http://WWW.BOBSPA.COM)





T18 MS

CONTAINER

MODEL	HG	A	B	C	D	E	F	G	I	L	WEIGHT	$\alpha$	MIN	MAX
T18 XXC MS	1425/1570	5280	4400	600	1740	100	3060	2460	240	450	1980 kg	55°	4200	5000
T18 XC MS	1425/1570	5280	4600	800	1740	100	3060	2460	240	450	1980 kg	55°	4200	5200
T18 C MS	1425/1570	5280	4800	1000	1740	100	3060	2490	240	450	1980 kg	55°	4200	5400
T18 NC MS	1425/1570	5280	5000	1200	1740	100	3060	2520	240	450	1980 kg	55°	4200	5600
T18 N MS	1425/1570	5480	5200	1200	1540	100	3060	2680	240	550	2010 kg	51°	4400	5800
T18 NL MS	1425/1570	5680	5400	1200	1340	100	3060	2820	240	800	2040 kg	48°	4600	6000
T18 L MS	1425/1570	5880	5600	1200	1140	100	3060	2960	240	1000	2070 kg	45°	4800	6200
T18 XL MS	1425/1570	6080	5800	1200	940	100	3060	3100	240	1100	2110 kg	42°	5000	6500

TL18 MS

CONTAINER

MODEL	HG	A	B	C	D	E	F	G	I	L	WEIGHT	$\alpha$	MIN	MAX
TL18 C MS	1425/1570	6230	5750	1300	1560	130	3280	3130	240	750	2190 kg	54°	4800	6400
TL18 NC MS	1425/1570	6430	5950	1300	1360	130	3280	3260	240	1000	2230 kg	51°	5000	6600
TL18 N MS	1425/1570	6630	6150	1300	1160	130	3280	3390	240	1100	2270 kg	48°	5200	6800
TL18 NL MS	1425/1570	6830	6350	1300	960	130	3280	3420	240	1300	2310 kg	46°	5400	7000
TL18 L MS	1425/1570	7030	6550	1300	790	130	3280	3650	240	1500	2350 kg	44°	5600	7200

**T20 MS**

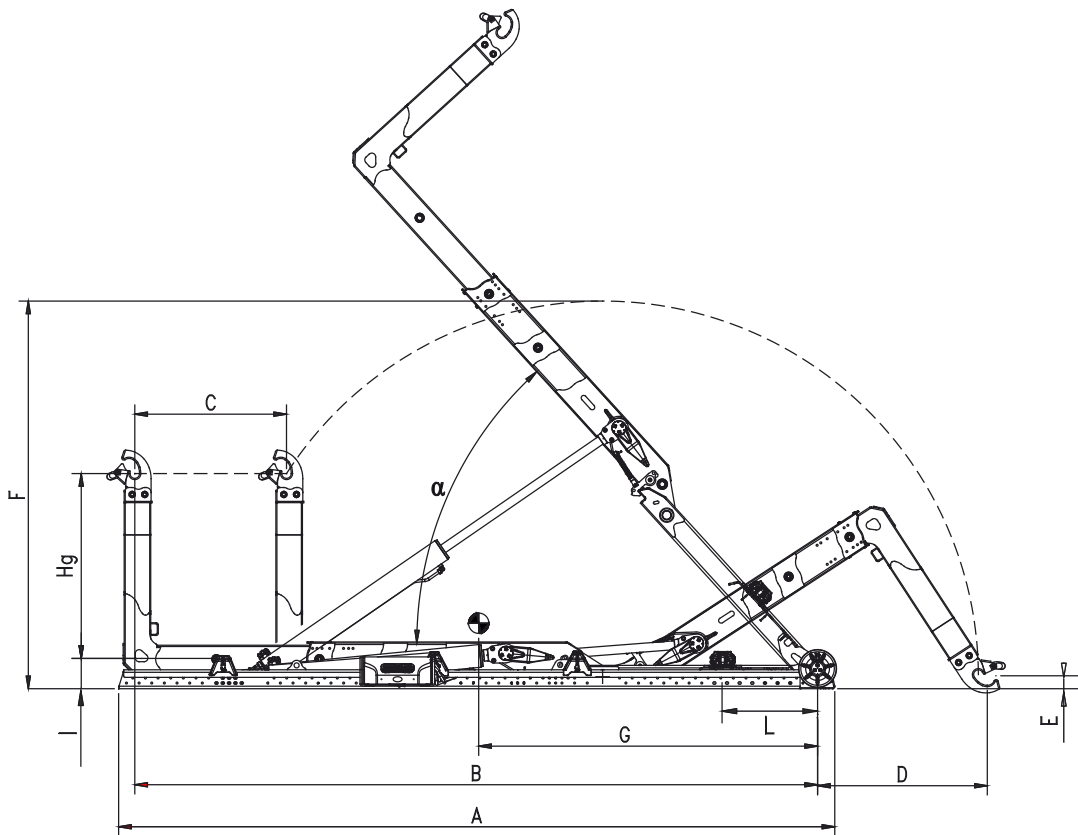


follow us on:



[WWW.BOBSPA.COM](http://WWW.BOBSPA.COM)





## T20 MS

												CONTAINER		
MODEL	HG	A	B	C	D	E	F	G	I	L	WEIGHT	$\alpha$	MIN	MAX
T20 XC MS	1425/1570	5280	4600	800	1740	100	3060	2460	240	450	2020 kg	55°	4200	5200
T20 C MS	1425/1570	5280	4800	1000	1740	100	3060	2490	240	450	2020 kg	55°	4200	5400
T20 NC MS	1425/1570	5280	5000	1200	1740	100	3060	2520	240	450	2020 kg	55°	4200	5600
T20 N MS	1425/1570	5480	5200	1200	1540	100	3060	2680	240	550	2050 kg	51°	4400	5800
T20 NL MS	1425/1570	5680	5400	1200	1340	100	3060	2820	240	800	2080 kg	48°	4600	6000
T20 L MS	1425/1570	5880	5600	1200	1140	100	3060	2960	240	1000	2110 kg	45°	4800	6200
T20 XL MS	1425/1570	6080	5800	1200	940	100	3060	3100	240	1100	2150 kg	42°	5000	6500

## TL20 MS

												CONTAINER		
MODEL	HG	A	B	C	D	E	F	G	I	L	WEIGHT	$\alpha$	MIN	MAX
TL20 C MS	1425/1570	6230	5750	1300	1560	130	3280	3130	240	750	2230 kg	54°	4800	6400
TL20 NC MS	1425/1570	6430	5950	1300	1360	130	3280	3260	240	1000	2270 kg	51°	5000	6600
TL20 N MS	1425/1570	6630	6150	1300	1160	130	3280	3390	240	1100	2310 kg	48°	5200	6800
TL20 NL MS	1425/1570	6830	6350	1300	960	130	3280	3420	240	1300	2350 kg	46°	5400	7000
TL20 L MS	1425/1570	7030	6550	1300	790	130	3280	3650	240	1500	2390 kg	44°	5600	7200

**T22 MS**

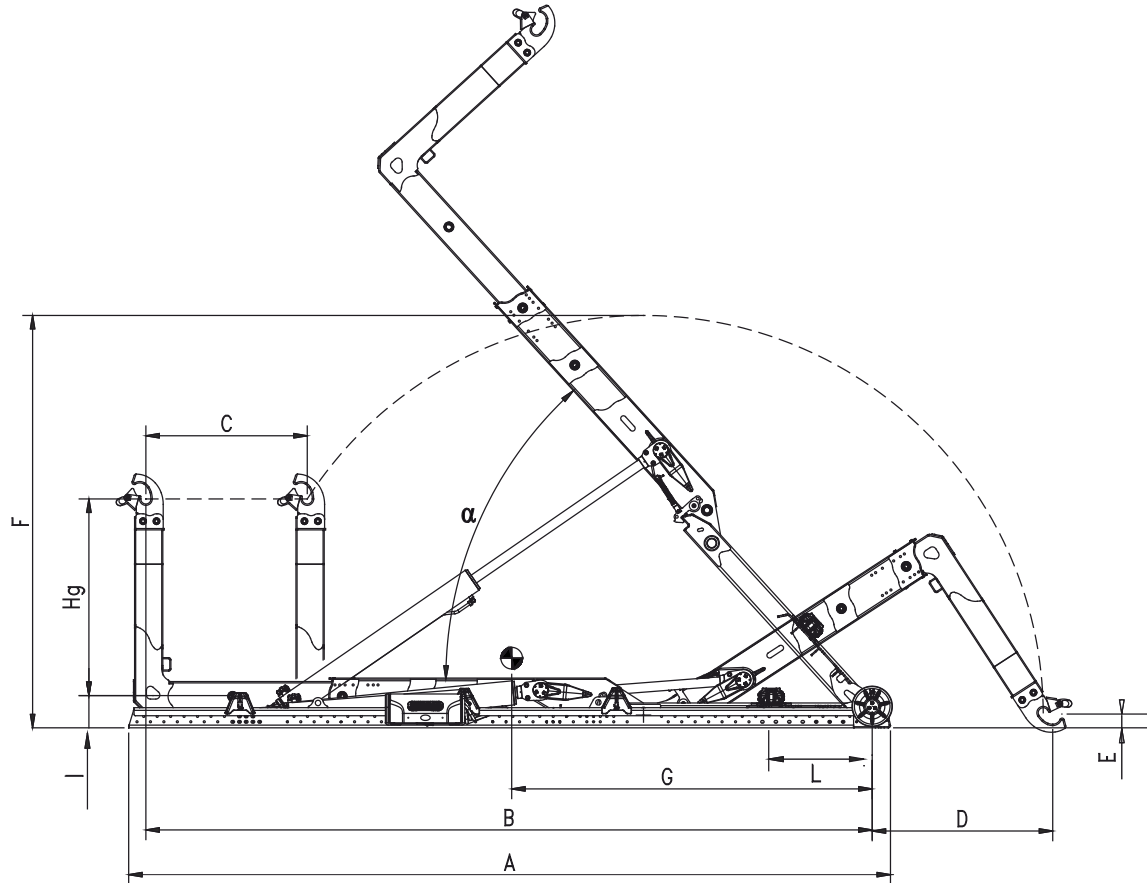


follow us on:



[WWW.BOBSPA.COM](http://WWW.BOBSPA.COM)





## T22 MS

MODEL	HG	A	B	C	D	E	F	G	I	L	WEIGHT	$\alpha$	CONTAINER	
													MIN	MAX
T22 XC MS	1425/1570	4860	4600	800	1700	1120	3070	2500	260	450	2420 kg	55°	4200	5200
T22 C MS	1425/1570	5060	4800	1000	1700	1120	3070	2550	260	450	2420 kg	55°	4200	5400
T22 NC MS	1425/1570	5260	5000	1200	1700	1120	3070	2600	260	450	2420 kg	55°	4200	5600
T22 N MS	1425/1570	5460	5200	1200	1500	1120	3070	2750	260	550	2450 kg	52°	4400	5800
T22 NL MS	1425/1570	5660	5400	1200	1300	1120	3070	2900	260	700	2480 kg	49°	4600	6000
T22 L MS	1425/1570	5860	5600	1200	1100	1120	3070	3050	260	900	2510 kg	46°	4800	6200
T22 XL MS	1425/1570	6060	5800	1200	900	1120	3070	3150	260	1000	2530 kg	43°	5000	6500

## TL22 MS

MODEL	HG	A	B	C	D	E	F	G	I	L	WEIGHT	$\alpha$	CONTAINER	
													MIN	MAX
TL22 C MS	1425/1570	6000	5750	1300	1480	170	3290	3150	260	700	2720 kg	54°	4800	6400
TL22 NC MS	1425/1570	6200	5950	1300	1280	170	3290	3300	260	900	2740 kg	51°	5000	6600
TL22 N MS	1425/1570	6400	6150	1300	1080	170	3290	3450	260	1100	2770 kg	48°	5200	6800
TL22 NL MS	1425/1570	6600	6350	1300	880	1720	3290	3600	260	1300	2790 kg	46°	5400	7000
TL22 L MS	1425/1570	6800	6550	1300	680	170	3290	3700	260	1500	2830 kg	44°	5600	7200

**T26 MS**

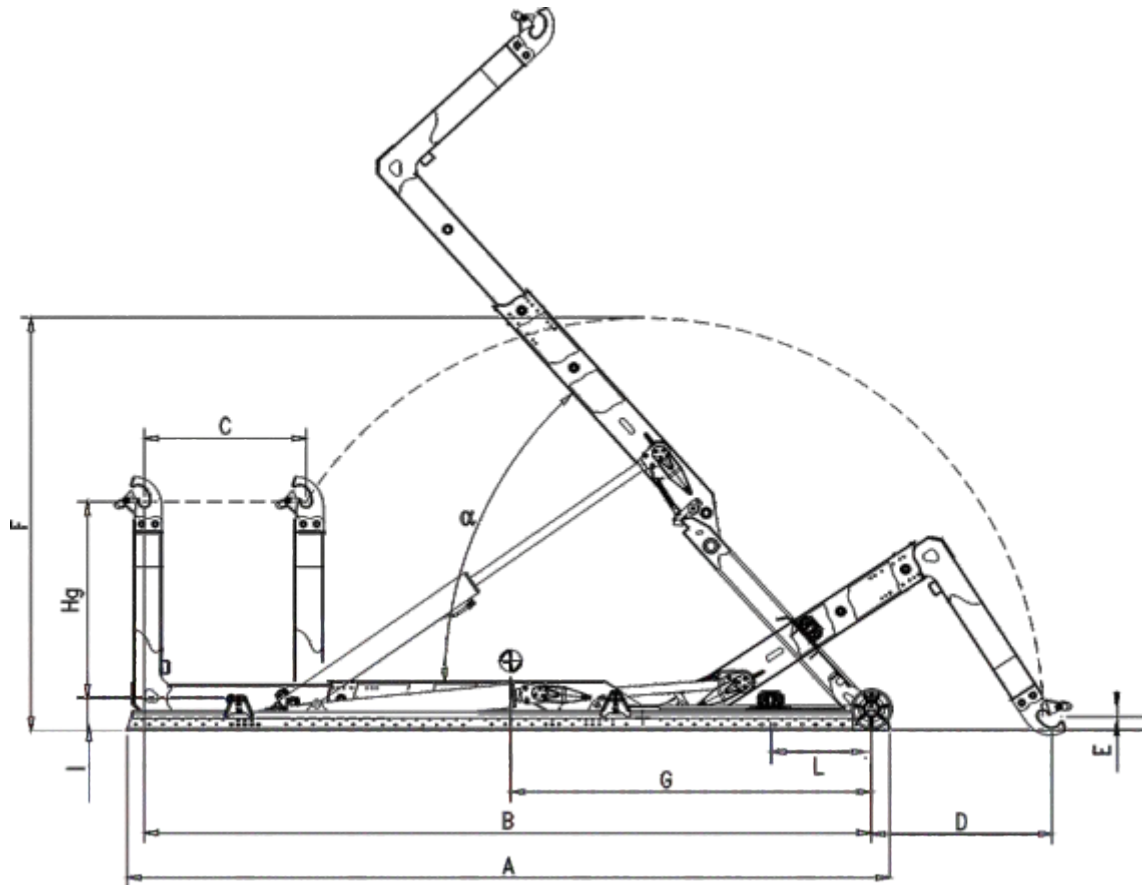


follow us on:



[WWW.BOBSPA.COM](http://WWW.BOBSPA.COM)





## T26 MS

CONTAINER

MODEL	HG	A	B	C	D	E	F	G	I	L	WEIGHT	$\alpha$	MIN	MAX
T26 XC MS	1425/1570	4860	4600	800	1700	1120	3070	2500	260	450	2490 kg	55°	4200	5200
T26 C MS	1425/1570	5060	4800	1000	1700	1120	3070	2550	260	450	2490 kg	55°	4200	5400
T26 NC MS	1425/1570	5260	5000	1200	1700	1120	3070	2600	260	450	2490 kg	55°	4200	5600
T26 N MS	1425/1570	5460	5200	1200	1500	1120	3070	2750	260	550	2520 kg	52°	4400	5800
T26 NL MS	1425/1570	5660	5400	1200	1300	1120	3070	2900	260	700	2550 kg	49°	4600	6000
T26 L MS	1425/1570	5860	5600	1200	1100	1120	3070	3050	260	900	2580 kg	46°	4800	6200
T26 XL MS	1425/1570	6060	5800	1200	900	1120	3070	3150	260	1000	2600 kg	43°	5000	6500

## TL26 MS

CONTAINER

MODEL	HG	A	B	C	D	E	F	G	I	L	WEIGHT	$\alpha$	MIN	MAX
TL26 C MS	1425/1570	6000	5750	1300	1480	170	3290	3150	260	700	2770 kg	54°	4800	6400
TL26 NC MS	1425/1570	6200	5950	1300	1280	170	3290	3300	260	900	2790 kg	51°	5000	6600
TL26 N MS	1425/1570	6400	6150	1300	1080	170	3290	3450	260	1100	2820 kg	48°	5200	6800
TL26 NL MS	1425/1570	6600	6350	1300	880	170	3290	3600	260	1300	2840 kg	46°	5400	7000
TL26 L MS	1425/1570	6800	6550	1300	680	170	3290	3700	260	1500	2880 kg	44°	5600	7200

# T30 MS

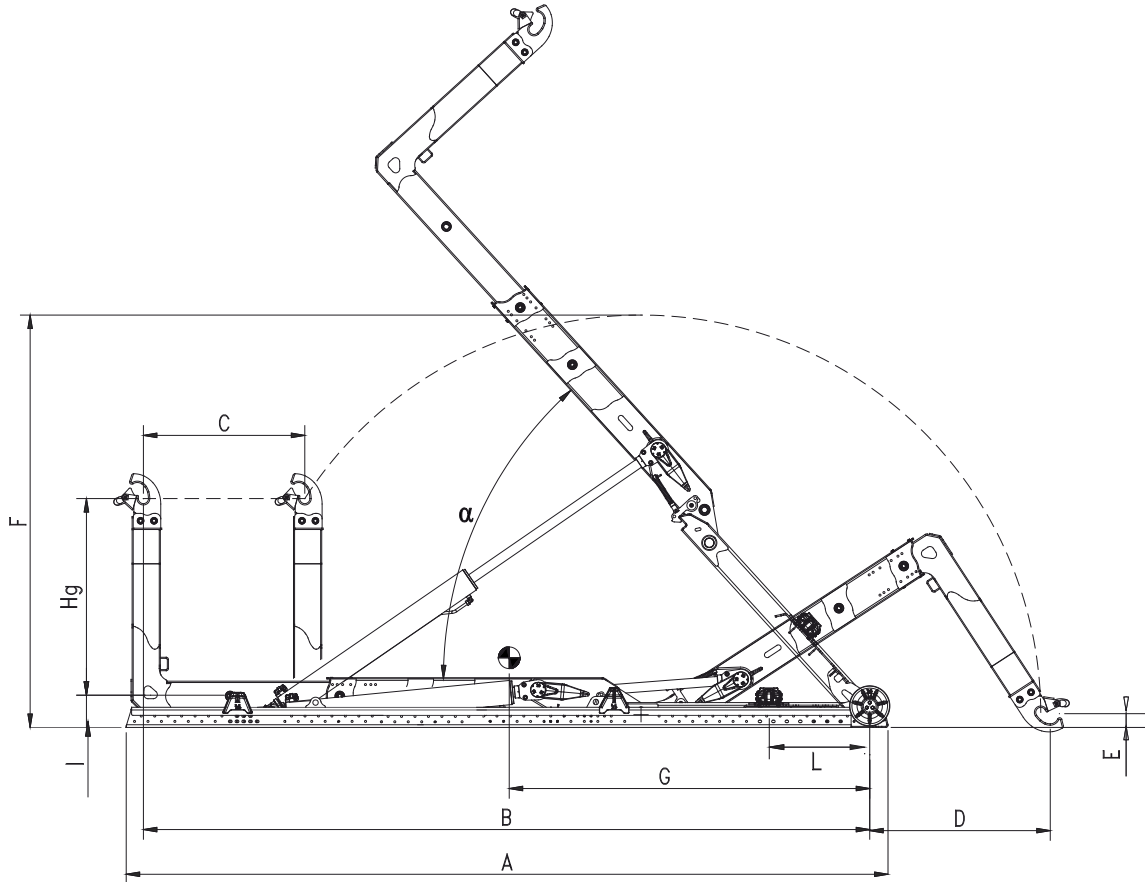


follow us on:



[WWW.BOBSPA.COM](http://WWW.BOBSPA.COM)





## T30 MS

MODEL	HG	A	B	C	D	E	F	G	I	L	WEIGHT	α	CONTAINER	
													MIN	MAX
T30 XC MS	1425/1570	4860	4600	800	1700	1120	3070	2550	260	450	2680 kg	55°	4200	5200
T30 C MS	1425/1570	5060	4800	1000	1700	1120	3070	2600	260	450	2680 kg	55°	4200	5400
T30 NC MS	1425/1570	5260	5000	1200	1700	1120	3070	2650	260	450	2680 kg	55°	4200	5600
T30 N MS	1425/1570	5460	5200	1200	1500	1120	3070	2800	260	550	2700 kg	52°	4400	5800
T30 NL MS	1425/1570	5660	5400	1200	1300	1120	3070	2950	260	700	2730 kg	49°	4600	6000
T30 L MS	1425/1570	5860	5600	1200	1100	1120	3070	3100	260	900	2760 kg	46°	4800	6200
T30 XL MS	1425/1570	6060	5800	1200	900	1120	3070	3250	260	1000	2790 kg	43°	5000	6500

## TL30 MS

MODEL	HG	A	B	C	D	E	F	G	I	L	WEIGHT	α	CONTAINER	
													MIN	MAX
TL30 C MS	1425/1570	6000	5750	1300	1480	170	3290	3200	260	700	2960 kg	54°	4800	6400
TL30 NC MS	1425/1570	6200	5950	1300	1280	170	3290	3350	260	900	2990 kg	51°	5000	6600
TL30 N MS	1425/1570	6400	6150	1300	1080	170	3290	3500	260	1100	3020 kg	48°	5200	6800
TL30 NL MS	1425/1570	6600	6350	1300	880	170	3290	3650	260	1300	3040 kg	46°	5400	7000
TL30 L MS	1425/1570	6800	6550	1300	680	170	3290	3800	260	1500	3800 kg	44°	5600	7200

**T32 HD**

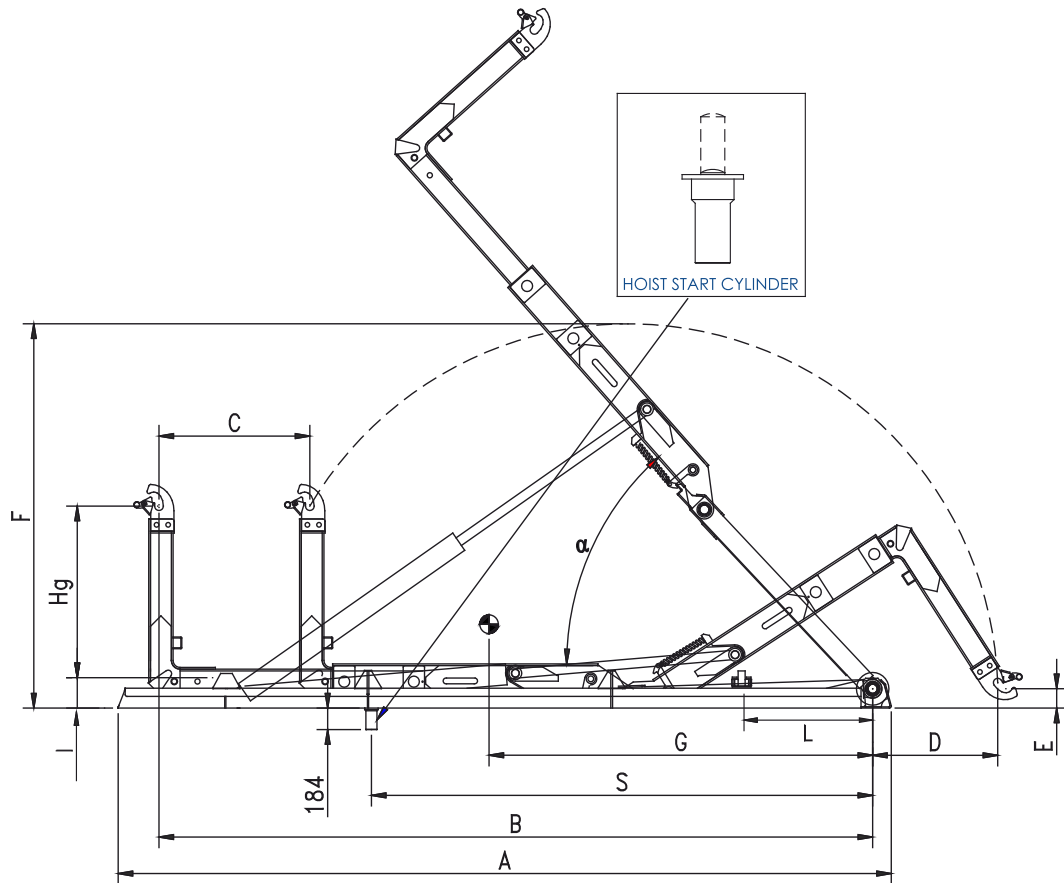


follow us on:



[WWW.BOBSA.COM](http://WWW.BOBSA.COM)





## T32 HD

MODEL	HG	A	B	C	D	E	F	G	I	L	S	WEIGHT	$\alpha$	CONTAINER	
														MIN	MAX
T32 C HD	1425/1570	5100	4800	1000	1660	190	3070	2600	260	400	2930	2930 kg	55°	4200	5200
T32 NC HD	1425/1570	5300	5000	1000	1460	190	3070	2750	260	600	3330	2960 kg	51°	4400	5400
T32 N HD	1425/1570	5500	5200	1000	1260	190	3070	2900	260	700	3300	2990 kg	48°	4600	5600
T32 NL HD	1425/1570	5700	5400	1000	1060	190	3070	3050	260	900	3530	3030 kg	45°	4800	5800
T32 L HD	1425/1570	5900	5600	1000	860	190	3070	3200	260	1000	3730	3050 kg	42°	5000	6200

## TL32 HD

MODEL	HG	A	B	C	D	E	F	G	I	L	S	WEIGHT	$\alpha$	CONTAINER	
														MIN	MAX
TL32 C HD	1425/1570	6260	5750	1300	1480	200	3290	3200	260	700	3900	3200 kg	55°	4800	6400
TL32 NC HD	1425/1570	6460	5950	1300	1280	200	3290	3350	260	900	4100	3230 kg	55°	5000	6600
TL32 N HD	1425/1570	6660	6150	1300	1080	200	3290	3500	260	1100	4300	3250 kg	52°	5200	6800
TL32 NL HD	1425/1570	6860	6350	1300	880	200	3290	3650	260	1300	4500	3270 kg	49°	5400	7000
TL32 L HD	1425/1570	7060	6550	1300	680	200	3290	3750	260	1500	4700	3310 kg	46°	5600	7200

**T35 HD**

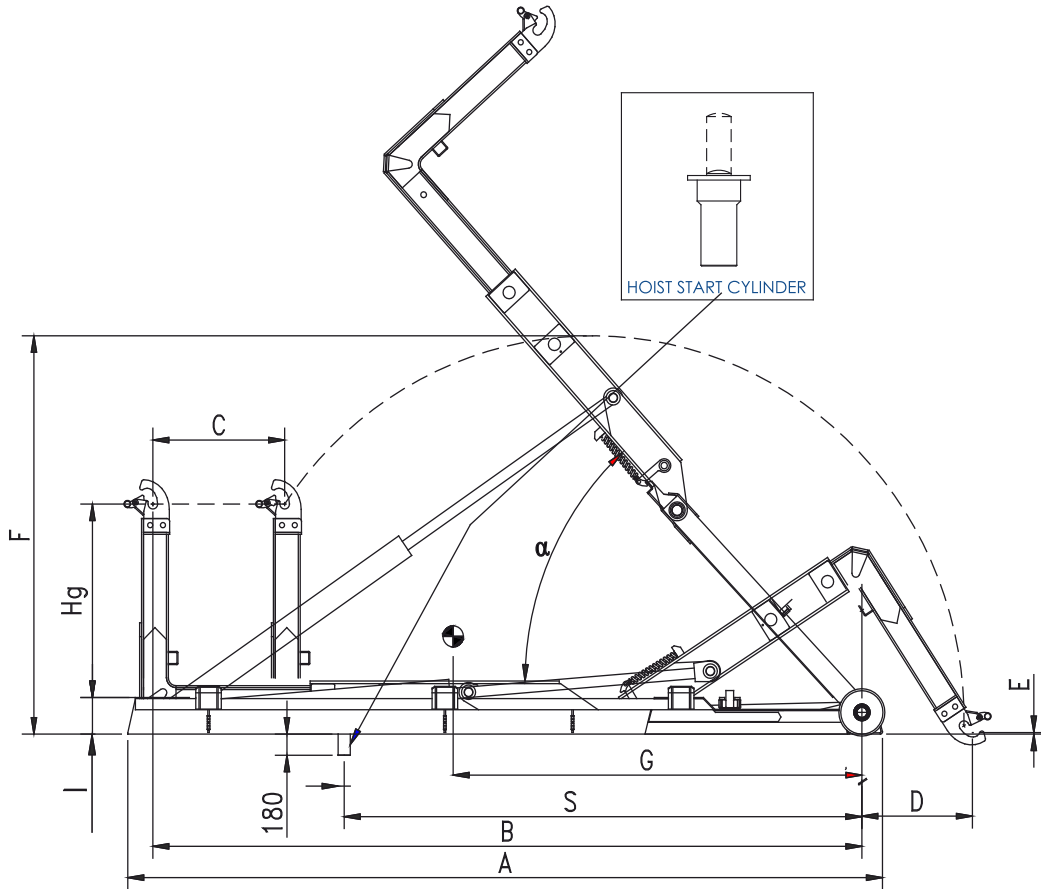


follow us on:



[WWW.BOBSPA.COM](http://WWW.BOBSPA.COM)





## T35 HD

CONTAINER

MODEL	HG	A	B	C	D	E	F	G	I	S	WEIGHT	$\alpha$	MIN	MAX
T35 N HD	1425/1570	5510	5150	1030	1260	10	3020	2950	280	3650	3520 kg	54°	4600	5800
T35 NL HD	1425/1570	5710	5350	1030	1060	10	3020	3100	280	3850	3570 kg	51°	4800	6000
T35 L HD	1425/1570	5910	5550	1030	860	10	3020	3250	280	4050	3600 kg	48°	5000	6200



BOB S.p.A. Monchiero CN ITALY  
Tel. 0173-8173-70000 Fax 0173-8173-70004  
E-mail: info@bobcat.com Web: www.bobcat.com





# TELESCOPIC ARTICULATED

**TA14 MS** **48/49**

**TA16 MS**

**TA18 MS** **50/51**

**TAL18 MS**

**TA20 MS** **52/53**

**TAL20 MS**

**TA22 MS** **54/55**

**TAL22 MS**

**TA26 MS** **56/57**

**TAL26 MS**

**TA30 MS** **58/59**

**TAL30 MS**

**TA32 HD** **60/61**

**TAL32 HD**

**TA35 HD** **62/63**

**TAL35 HD**



**TA14 MS**

**TA16 MS**

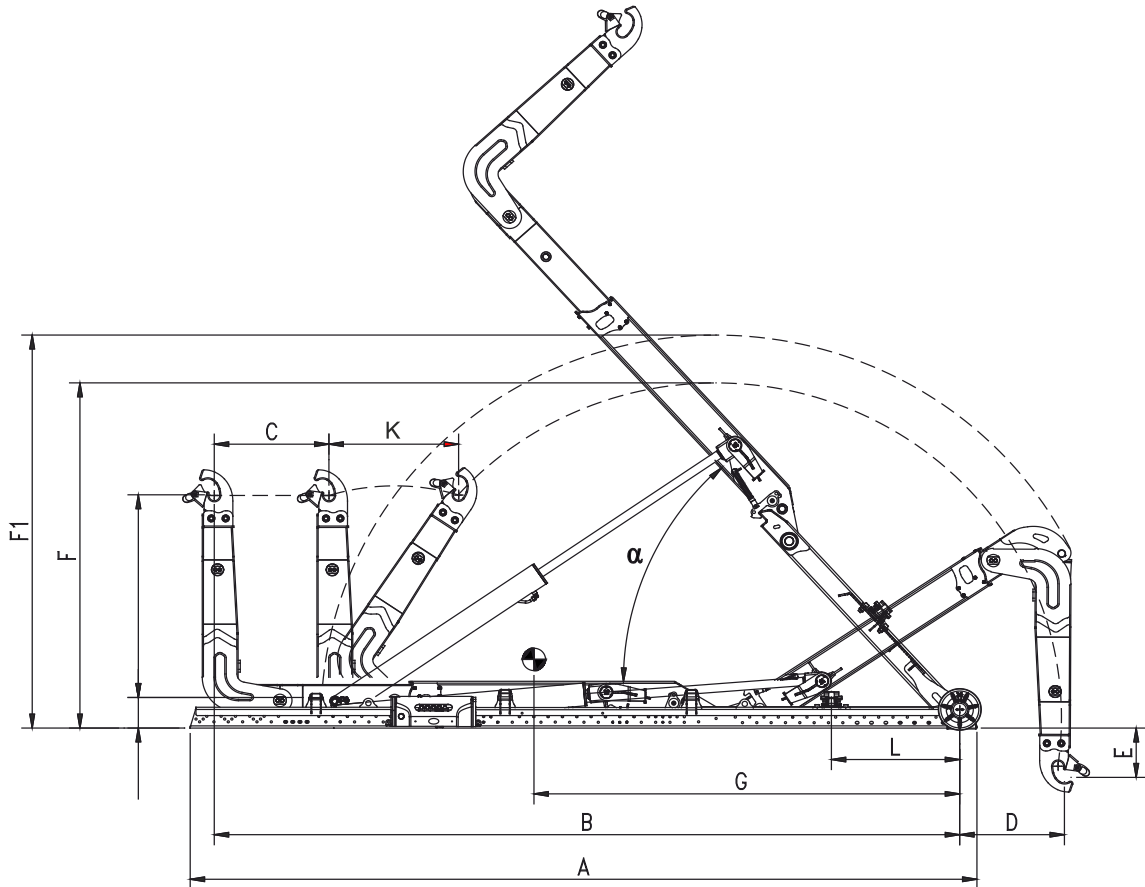


follow us on:



[WWW.BOBSPA.COM](http://WWW.BOBSPA.COM)





## TA14 MS

MODEL	HG	A	B	C	D	E	F	F1	G	I	K	L	WEIGHT	$\alpha$	CONTAINER	
															MIN	MAX
TA14 XC MS	1425/1570	5090	4600	600	1130	360	2480	2830	2850	220	900	500	1840 kg	55°	3400	5200
TA14 C MS	1425/1570	5090	4800	800	1130	360	2480	2830	2890	220	900	500	1840 kg	55°	3400	5400
TA14 NC MS	1425/1570	5290	5000	800	930	360	2480	2830	2930	220	900	700	1870 kg	51°	3600	5600
TA14 N MS	1425/1570	5490	5200	800	730	360	2480	2830	2970	220	900	900	1900 kg	48°	3800	5800
TA14 NL MS	1425/1570	5690	5400	800	530	360	2480	2830	3110	220	900	1000	1930 kg	45°	4000	6000

## TA16 MS

MODEL	HG	A	B	C	D	E	F	F1	G	I	K	L	WEIGHT	$\alpha$	CONTAINER	
															MIN	MAX
TA16 XC MS	1425/1570	5090	4600	600	1130	360	2480	2830	2850	220	900	500	1870 kg	55°	3400	5200
TA16 C MS	1425/1570	5090	4800	800	1130	360	2480	2830	2890	220	900	500	1870 kg	55°	3400	5400
TA16 NC MS	1425/1570	5290	5000	800	930	360	2480	2830	2930	220	900	700	1900 kg	51°	3600	5600
TA16 N MS	1425/1570	5490	5200	800	730	360	2480	2830	2970	220	900	900	1930 kg	48°	3800	5800
TA16 NL MS	1425/1570	5690	5400	800	530	360	2480	2830	3110	220	900	1000	1960 kg	45°	4000	6000



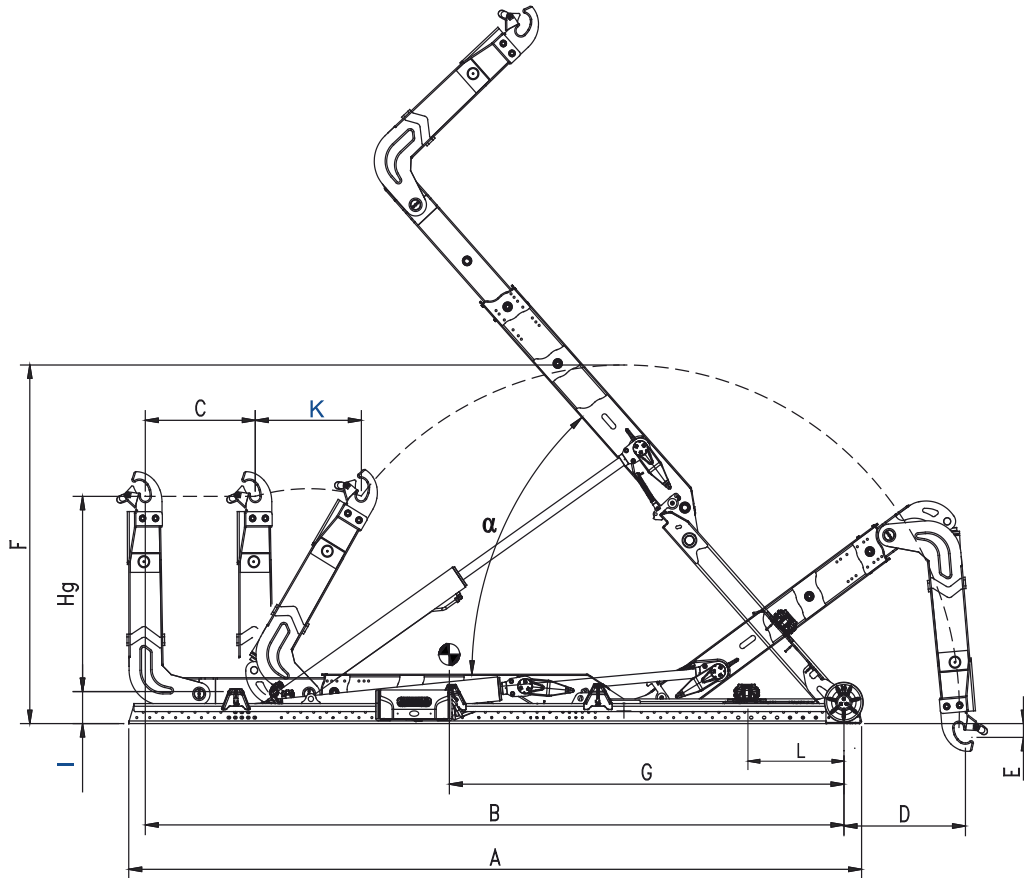
**TA18 MS**



follow us on:



[WWW.BOBSPA.COM](http://WWW.BOBSPA.COM)



TA18 MS													CONTAINER		
MODEL	HG	A	B	C	D	E	F	G	I	K	L	WEIGHT	$\alpha$	MIN	MAX
TA18 C MS	1425/1570	5280	4800	650	1240	60	2680	2740	240	850	450	2230 kg	55°	3800	5400
TA18 NC MS	1425/1570	5280	5000	850	1240	60	2680	2770	240	850	450	2230 kg	55°	3800	5600
TA18 N MS	1425/1570	5480	5200	850	1040	60	2680	2910	240	850	550	2270 kg	51°	4000	5800
TA18 NL MS	1425/1570	5680	5400	850	940	60	2680	3050	240	850	750	2310 kg	48°	4200	6000
TA18 L MS	1425/1570	5880	5600	850	740	60	2680	3190	240	850	1000	2350 kg	45°	4400	6200

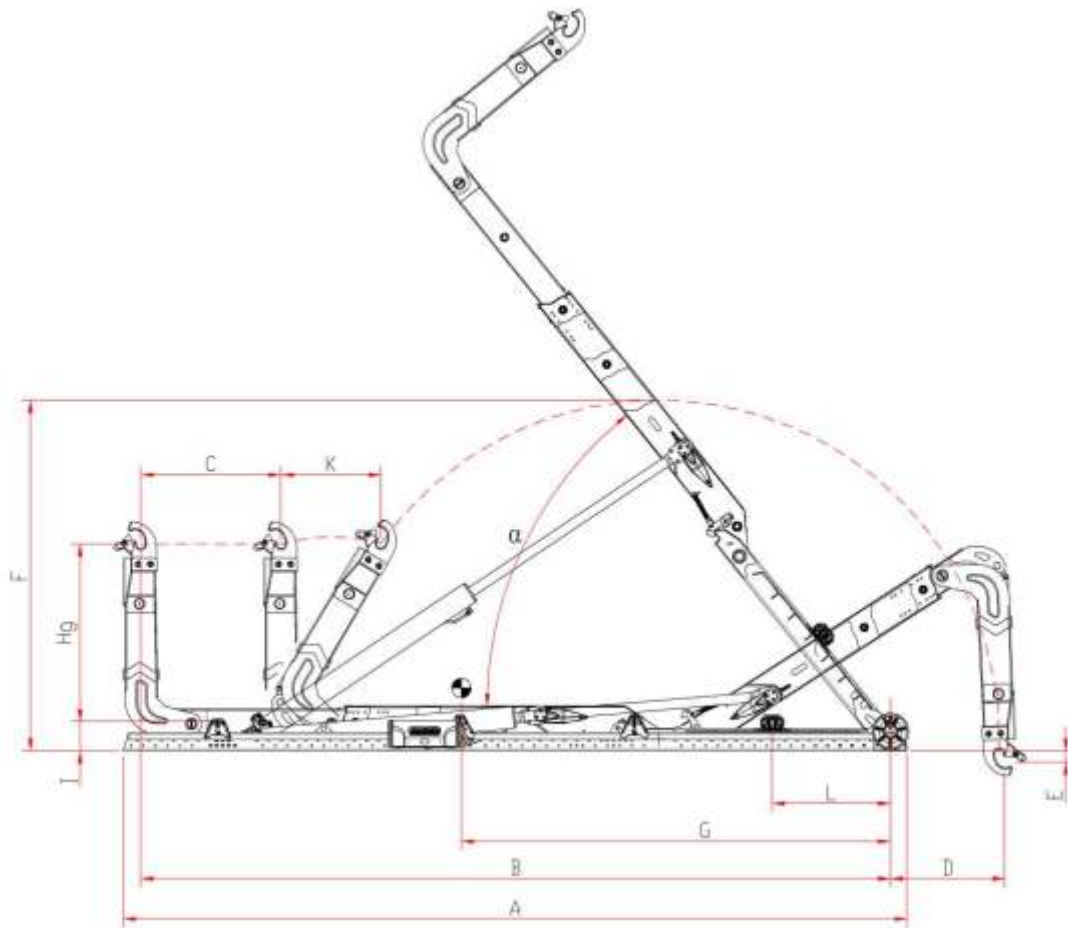
TAL18 MS													CONTAINER		
MODEL	HG	A	B	C	D	E	F	G	I	K	L	WEIGHT	$\alpha$	MIN	MAX
TAL 18 C MS	1425/1570	6230	5750	1150	1340	100	2880	3210	220	850	550	2490 kg	57°	4200	6400
TAL 18 NC MS	1425/1570	6430	5950	1150	1140	100	2880	3360	220	850	750	2510 kg	54°	4400	6600
TAL 18 N MS	1425/1570	6630	6150	1150	940	100	2880	3510	220	850	1000	2530 kg	51°	4600	6800
TAL 18 NL MS	1425/1570	6830	6350	1150	740	100	2880	3660	220	850	1100	2550 kg	48°	4800	7000
TAL 18 L MS	1425/1570	7030	6550	1150	540	100	2880	3810	220	850	1300	2580 kg	46°	5000	7200





follow us on:





TA20 MS													CONTAINER		
MODEL	HG	A	B	C	D	E	F	G	I	K	L	WEIGHT	$\alpha$	MIN	MAX
TA20 C MS	1425/1570	5280	4800	650	1240	160	2680	2740	240	850	450	2270 kg	55°	3600	5400
TA20 NC MS	1425/1570	5280	5000	850	1240	160	2680	2770	240	850	450	2270 kg	55°	3600	5600
TA20 N MS	1425/1570	5480	5200	850	1040	160	2680	2910	240	850	550	2310 kg	51°	3800	5800
TA20 NL MS	1425/1570	5680	5400	850	940	160	2680	3050	240	850	750	2350 kg	48°	4000	6000
TA20 L MS	1425/1570	5880	5600	850	740	160	2680	3190	240	850	1000	2390 kg	45°	4200	6200

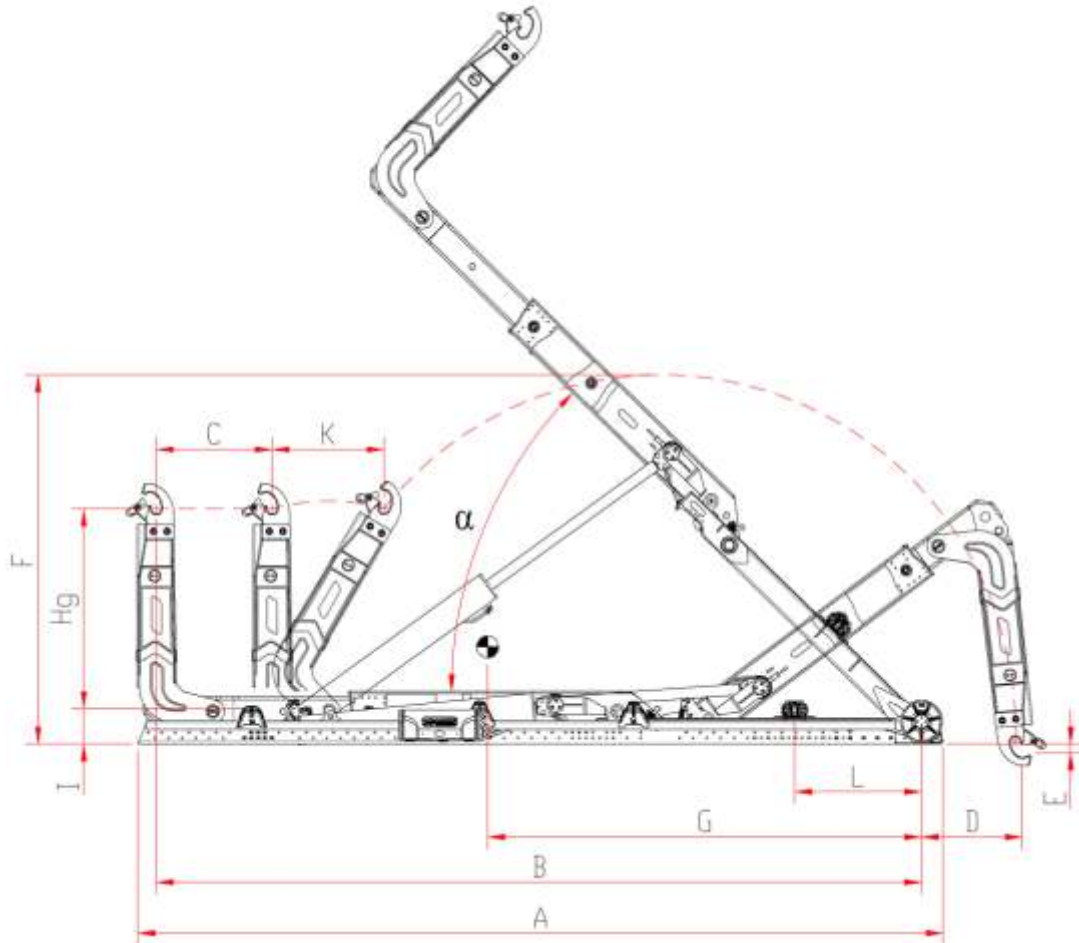
TAL20 MS													CONTAINER		
MODEL	HG	A	B	C	D	E	F	G	I	K	L	WEIGHT	$\alpha$	MIN	MAX
TAL 20 C MS	1425/1570	6230	5750	1150	1340	100	2880	3210	240	850	550	2530 kg	57°	4200	6400
TAL 20 NC MS	1425/1570	6430	5950	1150	1140	100	2880	3360	240	850	750	250 kg	54°	4400	6600
TAL 20 N MS	1425/1570	6630	6150	1150	940	100	2880	3510	240	850	1000	2570 kg	51°	4600	6800
TAL 20 NL MS	1425/1570	6830	6350	1150	740	100	2880	3660	240	850	1100	2590 kg	48°	4800	7000
TAL 20 L MS	1425/1570	7030	6550	1150	540	100	2880	3810	240	850	1300	2620 kg	46°	5000	7200



follow us on:







TA22 MS													CONTAINER		
MODEL	HG	A	B	C	D	E	F	G	I	K	L	WEIGHT	$\alpha$	MIN	MAX
TA22 C MS	1425/1570	5100	4800	650	1240	100	2700	2700	260	850	400	2660 kg	58°	3600	5400
TA22 NC MS	1425/1570	5300	5000	850	1240	100	2700	2750	260	850	400	2660 kg	54°	3600	5600
TA22 N MS	1425/1570	5500	5200	850	1040	100	2700	2900	260	850	600	2680 kg	51°	3800	5800
TA22 NL MS	1425/1570	5700	5400	850	940	100	2700	3050	260	850	700	2720 kg	48°	4000	6000
TA22 L MS	1425/1570	5900	5600	850	740	100	2700	3200	260	850	900	2740 kg	45°	4200	6200

TAL22 MS													CONTAINER		
MODEL	HG	A	B	C	D	E	F	G	I	K	L	WEIGHT	$\alpha$	MIN	MAX
TAL 22 C MS	1425/1570	6060	5750	1150	1250	100	2890	3200	260	850	500	2940 kg	57°	4200	6400
TAL 22 NC MS	1425/1570	6260	5950	1150	1050	100	2890	3350	260	850	700	2970 kg	53°	4400	6600
TAL 22 N MS	1425/1570	6460	6150	1150	850	100	2890	3500	260	850	900	3000 kg	51°	4600	6800
TAL 22 NL MS	1425/1570	6600	6350	1150	650	100	2890	3650	260	850	1100	3020 kg	48°	4800	7000
TAL 22 L MS	1425/1570	6850	6550	1150	450	100	2890	3750	260	850	1300	3050 kg	45°	5000	7200

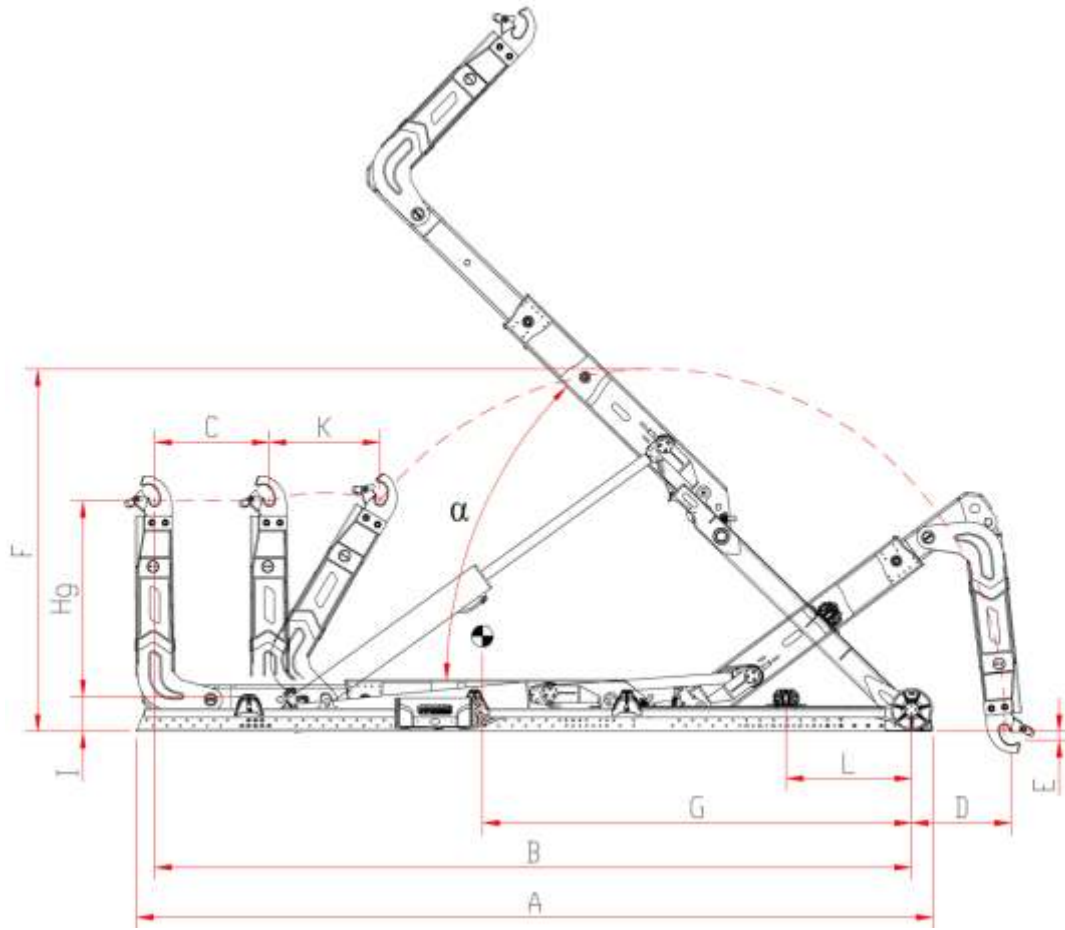
**TA26 MS**



follow us on:



[WWW.BOBSPA.COM](http://WWW.BOBSPA.COM)



TA26 MS													CONTAINER		
MODEL	HG	A	B	C	D	E	F	G	I	K	L	WEIGHT	$\alpha$	MIN	MAX
TA26 C MS	1425/1570	5300	4800	650	1240	100	2700	2700	260	850	400	2730 kg	58°	3600	5400
TA26 NC MS	1425/1570	5300	5000	850	1240	100	2700	2750	260	850	400	2730 kg	54°	3600	5600
TA26 N MS	1425/1570	5500	5200	850	1040	100	2700	2900	260	850	600	2750 kg	51°	3800	5800
TA26 NL MS	1425/1570	5700	5400	850	940	100	2700	3050	260	850	700	2790 kg	48°	4000	6000
TA26 L MS	1425/1570	5900	5600	850	740	100	2700	3200	260	850	900	2810 kg	45°	4200	6200

TAL26 MS													CONTAINER		
MODEL	HG	A	B	C	D	E	F	G	I	K	L	WEIGHT	$\alpha$	MIN	MAX
TAL 26 C MS	1425/1570	6060	5750	1150	1250	100	2890	3200	260	850	500	2990 kg	57°	4200	6400
TAL 26 NC MS	1425/1570	6260	5950	1150	1050	100	2890	3350	260	850	700	3020 kg	53°	4400	6600
TAL 26 N MS	1425/1570	6460	6150	1150	850	100	2890	3500	260	850	900	3050 kg	51°	4600	6800
TAL 26 NL MS	1425/1570	6600	6350	1150	650	100	2890	3650	260	850	1100	3070 kg	48°	4800	7000
TAL 26 L MS	1425/1570	6850	6550	1150	450	100	2890	3750	260	850	1300	3100 kg	46°	5000	7200



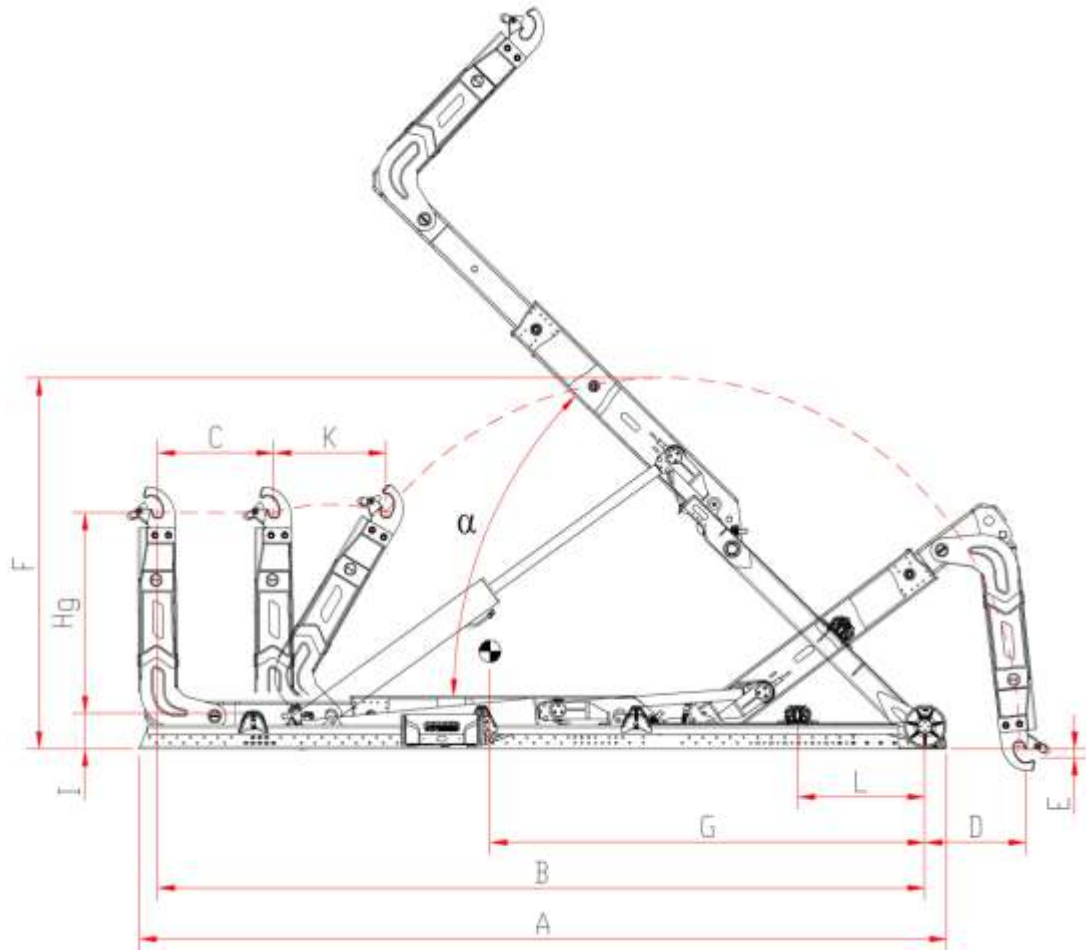
# TA30 MS



follow us on:



[WWW.BOBSPA.COM](http://WWW.BOBSPA.COM)



## TA30 MS

MODEL	HG	A	B	C	D	E	F	G	I	K	L	WEIGHT	$\alpha$	CONTAINER	
														MIN	MAX
TA30 C MS	1425/1570	5300	4800	650	1240	100	2700	2700	260	850	400	2910 kg	58°	3600	5400
TA30 NC MS	1425/1570	5300	5000	850	1240	100	2700	2750	260	850	400	2910 kg	54°	3600	5600
TA30 N MS	1425/1570	5500	5200	850	1040	100	2700	2900	260	850	600	2940 kg	51°	3800	5800
TA30 NL MS	1425/1570	5700	5400	850	940	100	2700	3050	260	850	700	2970 kg	48°	4000	6000
TA30 L MS	1425/1570	5900	5600	850	740	100	2700	3200	260	850	900	3000 kg	45°	4200	6200

## TAL30 MS

MODEL	HG	A	B	C	D	E	F	G	I	K	L	WEIGHT	$\alpha$	CONTAINER	
														MIN	MAX
TAL 30 C MS	1425/1570	6260	5750	1150	1250	100	2890	3250	260	850	500	3190 kg	57°	4200	6400
TAL 30 NC MS	1425/1570	6460	5950	1150	1050	100	2890	3400	260	850	700	3220 kg	53°	4400	6600
TAL 30 N MS	1425/1570	6600	6150	1150	850	100	2890	3550	260	850	900	3250 kg	51°	4600	6800
TAL 30 NL MS	1425/1570	6850	6350	1150	650	100	2890	3700	260	850	1100	3270 kg	48°	4800	7000
TAL 30 L MS	1425/1570	7050	6550	1150	450	100	2890	3850	260	850	1300	3300 kg	45°	5000	7200



**TA32 HD**

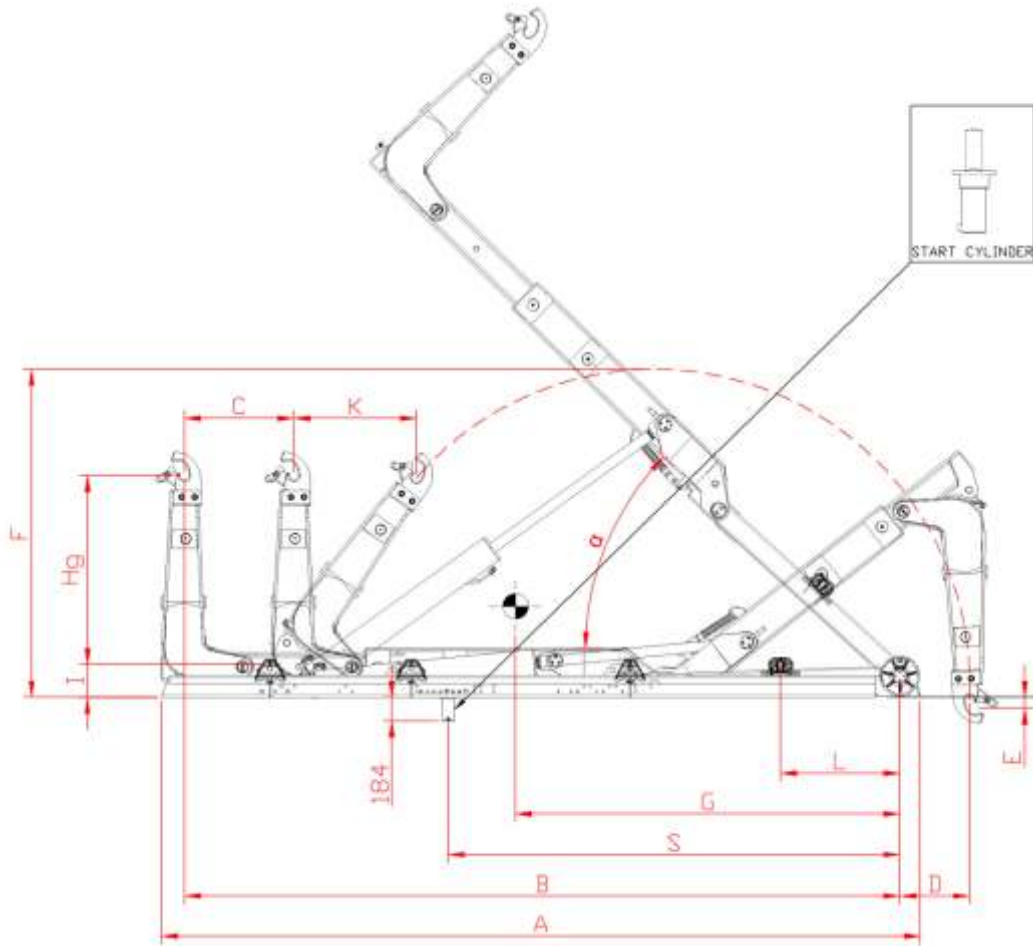


follow us on:



[WWW.BOBSA.COM](http://WWW.BOBSA.COM)





## TA32 HD

MODEL	HG	A	B	C	D	E	F	G	I	K	L	S	WEIGHT	$\alpha$	CONTAINER	
															MIN	MAX
TA32 N HD	1425/1570	5500	5160	850	1000	200	2550	2950	240	950	600	3130	3230 kg	51°	3800	5800
TA32 NL HD	1425/1570	5750	5360	850	800	200	2550	3100	240	950	700	3330	3260 kg	48°	4000	6000
TA32 L HD	1425/1570	5950	5560	850	600	200	2550	3250	240	950	900	3530	3300 kg	45°	4200	6200

## TAL32 HD

MODEL	HG	A	B	C	D	E	F	G	I	K	L	S	WEIGHT	$\alpha$	CONTAINER	
															MIN	MAX
TAL32 NC HD	1425/1570	6360	5950	1150	1050	200	2780	3400	260	950	700	3900	3440 kg	55°	4400	6600
TAL32 N HD	1425/1570	6560	6150	1150	850	200	2780	3550	260	950	900	4100	3470 kg	52°	4600	6800
TAL32 NL HD	1425/1570	6760	6350	1150	650	200	2780	3700	240	950	1100	4300	3500 kg	49°	4800	7000
TAL32 L HD	1425/1570	6790	6550	1150	450	200	2780	3850	260	950	1300	4500	3520 kg	46°	5000	7200

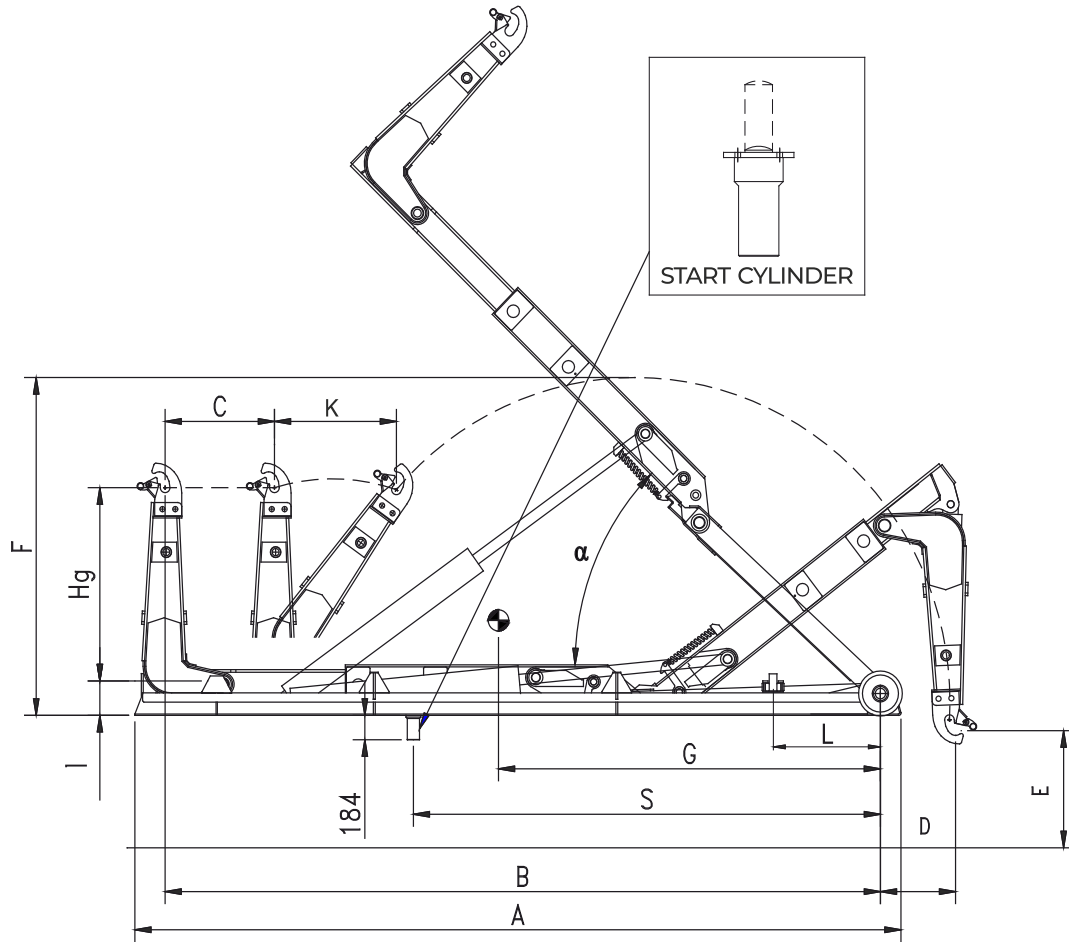
**TA35 HD**



follow us on:



[WWW.BOBSPA.COM](http://WWW.BOBSPA.COM)



## TA35 HD

MODEL	HG	A	B	C	D	E	F	G	I	K	L	S	WEIGHT	$\alpha$	CONTAINER	
															MIN	MAX
TA35 N HD	1425/1570	5500	5160	850	1000	200	2550	2950	240	950	500	3130	3450 kg	51°	3800	5800
TA35 NL HD	1425/1570	5750	5360	850	800	200	2550	3100	240	950	700	3330	3500 kg	48°	4000	6000
TA35 L HD	1425/1570	5950	5560	850	600	200	2550	3250	240	950	900	3530	3550 kg	45°	4200	6200

## TAL35 HD

MODEL	HG	A	B	C	D	E	F	G	I	K	L	S	WEIGHT	$\alpha$	CONTAINER	
															MIN	MAX
TAL 35 NC HD	1425/1570	6360	5950	1150	1050	200	2780	3300	280	950	700	3900	3600 kg	55°	4400	6600
TAL 35 N HD	1425/1570	6560	6150	1150	850	200	2780	3450	280	950	900	4100	3650 kg	52°	4600	6800
TAL 35 NL HD	1425/1570	6760	6350	1150	650	200	2780	3600	280	950	1100	4300	3700 kg	49°	4800	7000
TAL 35 L HD	1425/1570	6790	6550	1150	450	200	2780	3750	280	950	1300	4500	3750 kg	46°	5000	7200





[www.bobspa.com](http://www.bobspa.com)



*lift your life*



Scan me



Reg. Oltre Rea, 32 - 12060 Monchiero (CN) - Italy  
Phone +39 0173 780 002 - Fax +39 0173 780 700  
Email: [info@bobspa.com](mailto:info@bobspa.com)